

INDUSTRIAL FITTINGS - couplings

Lever couplings PERROT

PERROT coupling system is the most popular system of flexible connection in Poland. It was designed for irrigation purposes, yet over the last decades it has been used for many other applications.

PERROT couplings (pipes and fittings) are widely used in farming, gardening, industry, construction, road and tunnel building, groundwater drainage, sewage treatment plants, wastewater disposal and environmental engineering.

Advantages of the system:

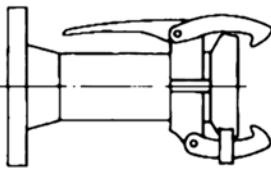
- easy, one hand connection of the couplings,
- wide range of pipe diameters (50, 70, 108, 133, 159 mm),
- angular deflection of the coupling up to 15° to both sides,
- complete leak tightness even in contaminated couplings.

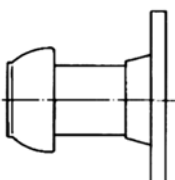
PERROT couplings are made of galvanized steel as a standard.

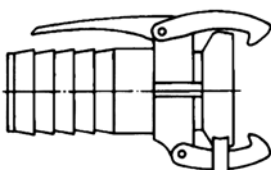
Couplings made of acid-resistant steel (AISI 316L) are available in two material versions: SUPRA and OPTIMA.

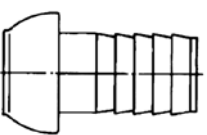
- SUPRA - female and male connecting parts made of AISI 316L steel, levers of the female part made of galvanized steel.
- OPTIMA - female and male connecting parts made of AISI 316L steel.

PERROT couplings made of acid resistant steel can be used to transfer e.g. alcohol, wine, vegetable oil, beverages, acids, lyes, petrochemical products, chemicals. Working pressure up to 10 bar.

Socket with flange PN10		
		
KMF		
connection size x flange DN [mm]	galvanized steel	AISI 316L (OPTIMA)
50 x 50	HC-KMF-01	HC-KMF-01-SS
70 x 65	HC-KMF-02	HC-KMF-02-SS
89 x 80	HC-KMF-03	HC-KMF-03-SS
108 x 100	HC-KMF-04	HC-KMF-04-SS
133 x 125	HC-KMF-05	HC-KMF-05-SS

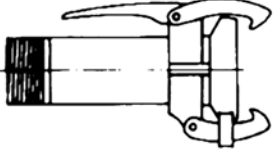
Plug with flange PN10		
		
KVF		
connection size x flange DN [mm]	galvanized steel	AISI 316L (OPTIMA)
50 x 50	HC-KVF-01	HC-KVF-01-SS
70 x 65	HC-KVF-02	HC-KVF-02-SS
89 x 80	HC-KVF-03	HC-KVF-03-SS
108 x 100	HC-KVF-04	HC-KVF-04-SS
133 x 125	HC-KVF-05	HC-KVF-05-SS
159 x 150	HC-KVF-06	HC-KVF-06-SS

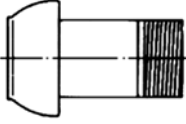
Socket with hose tail		
		
KMS		
connection size x hose tail size [mm]	galvanized steel	AISI 316L (OPTIMA)
50 X 50	HC-KMS-01	HC-KMS-01-SS
70 X 70	HC-KMS-02	HC-KMS-02-SS
89 X 75	HC-KMS-03	HC-KMS-03-SS
89 X 80	HC-KMS-04	HC-KMS-04-SS
89 X 90	HC-KMS-05	HC-KMS-05-SS
108 X 75	HC-KMS-06	-
108 X 100	HC-KMS-07	HC-KMS-07-SS
108 X 110	HC-KMS-08	HC-KMS-08-SS
133 X 125	HC-KMS-09	HC-KMS-09-SS
159 X 150	HC-KMS-10	HC-KMS-10-SS

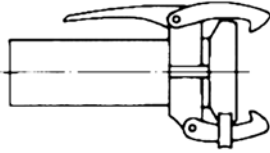
Plug with hose tail		
		
KVS		
connection size x hose tail size [mm]	galvanized steel	AISI 316L (OPTIMA)
50 x 50	HC-KVS-01	HC-KVS-01-SS
70 x 70	HC-KVS-02	HC-KVS-02-SS
89 x 75	HC-KVS-03	HC-KVS-03-SS
89 x 80	HC-KVS-04	HC-KVS-04-SS
89 x 90	HC-KVS-05	HC-KVS-05-SS
108 x 75	HC-KVS-06	-
108 x 100	HC-KVS-07	HC-KVS-07-SS
108 x 110	HC-KVS-08	HC-KVS-08-SS
133 x 125	HC-KVS-09	HC-KVS-09-SS
159 x 150	HC-KVS-10	HC-KVS-10-SS

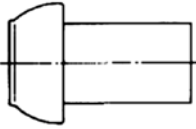
INDUSTRIAL FITTINGS - couplings

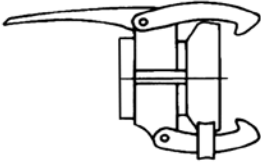
Lever couplings PERROT


Socket with male thread		
		
KMG		
connection size x hose tail size [mm]	galvanized steel	AISI 316L (OPTIMA)
50 x 1.1/2"	HC-KMG-01	HC-KMG-01-SS
50 x 2"	HC-KMG-02	HC-KMG-02-SS
70 x 2"	HC-KMG-03	HC-KMG-03-SS
70 x 2.1/2"	HC-KMG-04	HC-KMG-04-SS
89 x 3"	HC-KMG-05	HC-KMG-05-SS
108 x 3"	HC-KMG-06	-
108 x 4"	HC-KMG-07	HC-KMG-07-SS
133 x 5"	HC-KMG-08	HC-KMG-08-SS
159 x 6"	HC-KMG-09	HC-KMG-09-SS

Plug with male thread		
		
KVG		
connection size x hose tail size [mm]	galvanized steel	AISI 316L (OPTIMA)
50 x 1.1/2"	HC-KVG-01	HC-KVG-01-SS
50 x 2"	HC-KVG-02	HC-KVG-02-SS
70 x 2"	HC-KVG-03	HC-KVG-03-SS
70 x 2.1/2"	HC-KVG-04	HC-KVG-04-SS
89 x 3"	HC-KVG-05	HC-KVG-05-SS
108 x 3"	HC-KVG-06	-
108 x 4"	HC-KVG-07	HC-KVG-07-SS
133 x 5"	HC-KVG-08	HC-KVG-08-SS
159 x 6"	HC-KVG-09	HC-KVG-09-SS

Socket with welding end		
		
KMR		
connection size [mm]	galvanized steel	AISI 316L (OPTIMA)
50	HC-KMR-01	HC-KMR-01-SS
70	HC-KMR-02	HC-KMR-02-SS
89	HC-KMR-03	HC-KMR-03-SS
108	HC-KMR-04	HC-KMR-04-SS
133	HC-KMR-05	HC-KMR-05-SS
159	HC-KMR-06	HC-KMR-06-SS

Plug with welding end		
		
KVR		
connection size [mm]	galvanized steel	AISI 316L (OPTIMA)
50	HC-KVR-01	HC-KVR-01-SS
70	HC-KVR-02	HC-KVR-02-SS
89	HC-KVR-03	HC-KVR-03-SS
108	HC-KVR-04	HC-KVR-04-SS
133	HC-KVR-05	HC-KVR-05-SS
159	HC-KVR-06	HC-KVR-06-SS

Plug end cap		
		
KMX		
connection size [mm]	galvanized steel	AISI 316L (OPTIMA)
50	HC-KMX-01	HC-KMX-01-SS
70	HC-KMX-02	HC-KMX-02-SS
89	HC-KMX-03	HC-KMX-03-SS
108	HC-KMX-04	HC-KMX-04-SS
133	HC-KMX-05	HC-KMX-05-SS
159	HC-KMX-06	HC-KMX-06-SS

Socket end cap		
		
KVX		
connection size [mm]	galvanized steel	AISI 316L (OPTIMA)
50	HC-KVX-01	HC-KVX-01-SS
70	HC-KVX-02	HC-KVX-02-SS
89	HC-KVX-03	HC-KVX-03-SS
108	HC-KVX-04	HC-KVX-04-SS
133	HC-KVX-05	HC-KVX-05-SS
159	HC-KVX-06	HC-KVX-06-SS