

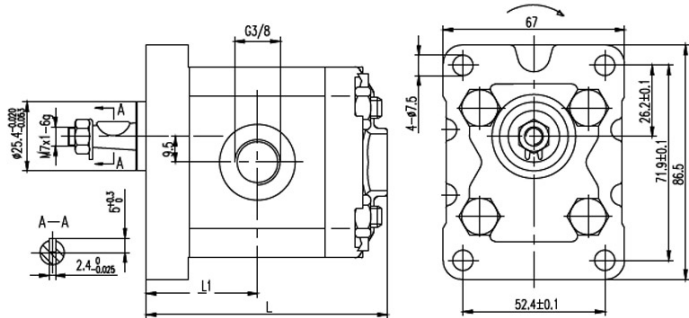
# HIGH PRESSURE - pumps

## Gear pumps TRALE

Positive displacement, external gear pumps intended for hydraulic systems of machines and devices.

Material	
Housing	Aluminium
Mounting plate	Aluminium (groups 1 and 2), cast iron (group 3)
Rear cover	Aluminium (groups 1 and 2), cast iron (group 3)
Sealing	NBR
Operation conditions	
Medium	Hydraulic oil of L-HM46 type or substitute
Fluid viscosity	From 10 cSt up to 600 cSt (recommended 30 ÷ 45)
Working temperature	From -20°C up to +90°C (medium), from -20°C up to +60°C (ambient)
Symbols	
CC	Displacement
P1	Maximum working pressure (continuous operation)
P3	Maximum peak pressure (intermittent operation)
V	Maximum rotary speed

Group 1 - conical 1:8, European cover (Ø 25.4 mm), threaded connection

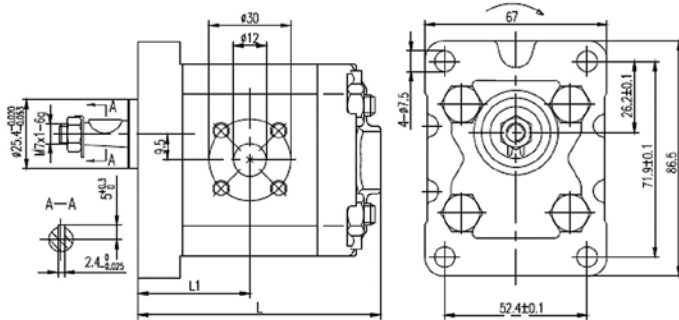


code		CC [cm <sup>3</sup> /rev.]	inlet [BSP]	outlet [BSP]	P1 [bar]	P3 [bar]	V [r.p.m.]	L1 [mm]	L [mm]
rotation right	rotation left								
TL-BTD111D01	TL-BTD111I01	1.1	3/8"	3/8"	250	300	6000	33	75
TL-BTD116D01	TL-BTD116I01	1.6	3/8"	3/8"	250	300	6000	35	78
TL-BTD118D01	TL-BTD118I01	1.8	3/8"	3/8"	250	300	6000	35.5	78.5
TL-BTD127D01	TL-BTD127I01	2.7	3/8"	3/8"	250	300	6000	37	81
TL-BTD132D01	TL-BTD132I01	3.	3/8"	3/8"	250	300	5000	38	83
TL-BTD137D01	TL-BTD137I01	3.7	3/8"	3/8"	250	300	4500	39	85
TL-BTD148D01	TL-BTD148I01	4.8	3/8"	3/8"	200	250	4000	41	89
TL-BTD158D01	TL-BTD158I01	5.8	1/2"	3/8"	200	250	3500	43	93
TL-BTD163D01	TL-BTD163I01	6.3	1/2"	3/8"	200	250	2900	45	97
TL-BTD180D01	TL-BTD180I01	8.0	1/2"	3/8"	200	250	2100	47	101

# HIGH PRESSURE - pumps

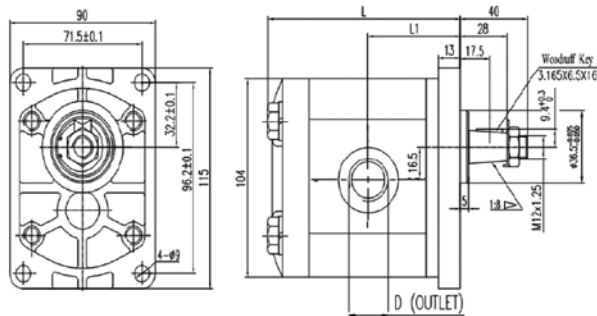
## Gear pumps TRALE

Group 1 - conical 1:8, European cover (Ø 25.4 mm), flanged connection



code		CC [cm <sup>3</sup> /rev.]	inlet [mm]	outlet [mm]	P1 [bar]	P3 [bar]	V [r.p.m.]	L1 [mm]	L [mm]
rotation right	rotation left								
TL-BTD107D03	TL-BTD107I03	0.7	30	30	250	300	6000	32	74
TL-BTD111D03	TL-BTD111I03	1.1	30	30	250	300	6000	33	75
TL-BTD116D03	TL-BTD116I03	1.6	30	30	250	300	6000	35	78
TL-BTD118D03	TL-BTD118I03	1.8	30	30	250	300	6000	35.5	78.5
TL-BTD127D03	TL-BTD127I03	2.7	30	30	250	300	6000	37	81
TL-BTD132D03	TL-BTD132I03	3.2	30	30	250	300	6000	38	83
TL-BTD137D03	TL-BTD137I03	3.7	30	30	250	300	5000	39	85
TL-BTD148D03	TL-BTD148I03	4.8	30	30	200	250	4000	41	89
TL-BTD158D03	TL-BTD158I03	5.8	30	30	200	250	3500	43	93
TL-BTD163D03	TL-BTD163I03	6.3	30	30	200	250	2900	44	97
TL-BTD180D03	TL-BTD180I03	8.0	30	30	200	250	2100	47	101

Group 2 - conical 1:8, European cover (Ø 36.5 mm), threaded connections



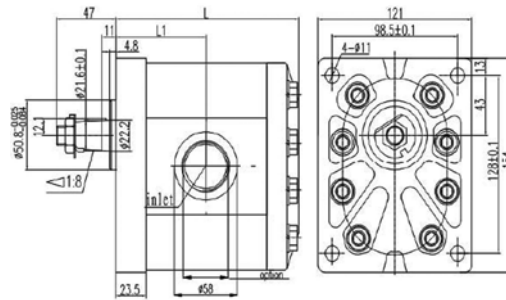
code		CC [cm <sup>3</sup> /rev.]	inlet [BSP]	outlet [BSP]	P1 [bar]	P3 [bar]	V [r.p.m.]	L1 [mm]	L [mm]
rotation right	rotation left								
TL-BTD240D01	TL-BTD240I01	4	1/2"	1/2"	250	300	3500	43.3	95.5
TL-BTD260D01	TL-BTD260I01	6	1/2"	1/2"	250	300	3500	45	99
TL-BTD280D01	TL-BTD280I01	8	1/2"	1/2"	250	300	3500	46.5	102
TL-BTD2120D01	TL-BTD2120I01	12	1/2"	1/2"	250	300	3500	49.5	108
TL-BTD2140D01	TL-BTD2140I01	14	1/2"	1/2"	250	300	3500	51	111
TL-BTD2160D01	TL-BTD2160I01	16	3/4"	1/2"	250	300	3500	52.5	114
TL-BTD2200D01	TL-BTD2200I01	20	3/4"	1/2"	250	300	3500	56	121
TL-BTD2230D01	TL-BTD2230I01	23	3/4"	1/2"	200	250	3000	58.3	125.5
TL-BTD2250D01	TL-BTD2250I01	25	3/4"	1/2"	200	250	3000	59.5	128
TL-BTD2280D01	TL-BTD2280I01	28	3/4"	1/2"	160	200	3000	62	133
TL-BTD2300D01	TL-BTD2300I01	30	3/4"	1/2"	160	200	3000	63.5	136



# HIGH PRESSURE - pumps

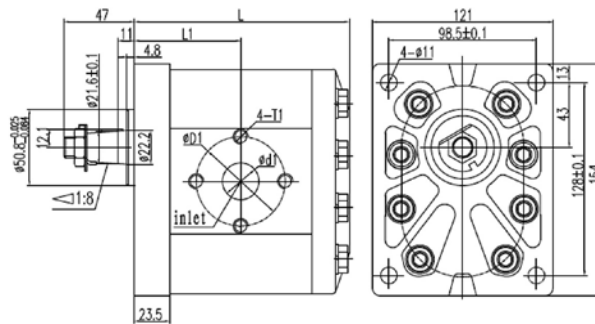
## Gear pumps TRALE

Group 3 - conical 1:8, European cover (Ø 50.8 mm), threaded connections



code		CC [cm <sup>3</sup> /rev.]	inlet [BSP]	outlet [BSP]	P1 [bar]	P3 [bar]	V [r.p.m.]	L1 [mm]	L [mm]
rotation right	rotation left								
TL-BTD3220D01	TL-BTD3220I01	22	3/4"	3/4"	200	250	3000	65.5	128.5
TL-BTD3260D01	TL-BTD3260I01	26	1"	3/4"	200	250	3000	67	131.5
TL-BTD3280D01	TL-BTD3280I01	28	1"	3/4"	200	250	3000	68.5	134
TL-BTD3320D01	TL-BTD3320I01	32	1"	3/4"	200	250	3000	69.8	137
TL-BTD3360D01	TL-BTD3360I01	36	1"	3/4"	200	250	3000	71.8	141
TL-BTD3420D01	TL-BTD3420I01	42	1"	3/4"	200	250	2800	73	143.5
TL-BTD3460D01	TL-BTD3460I01	46	1"	3/4"	200	250	2400	74	146.5
TL-BTD3500D01	TL-BTD3500I01	50	1"	3/4"	200	250	2400	76	149.5
TL-BTD3550D01	TL-BTD3550I01	55	1"	3/4"	200	250	2400	78	152

Group 3 - conical 1:8, European cover (Ø 50.8 mm), flanged connections



code		CC [cm <sup>3</sup> /rev.]	inlet [mm]	outlet [mm]	P1 [bar]	P3 [bar]	V [r.p.m.]	L1 [mm]	L [mm]
rotation right	rotation left								
TL-BTD3220D02	TL-BTD3220I02	22	40	40	200	250	3000	65.5	128.5
TL-BTD3260D02	TL-BTD3260I02	26	40	40	200	250	3000	67	131.5
TL-BTD3280D02	TL-BTD3280I02	28	40	40	200	250	3000	68.5	134
TL-BTD3340D02	TL-BTD3340I02	34	50	40	200	250	3000	69.8	137
TL-BTD3390D02	TL-BTD3390I02	39	50	40	200	250	3000	71.8	141
TL-BTD3430D02	TL-BTD3430I02	43	50	40	200	250	2800	73	143.5
TL-BTD3460D02	TL-BTD3460I02	46	50	40	200	250	2400	74	146.5
TL-BTD3510D02	TL-BTD3510I02	51	50	40	200	250	2400	76	149.5
TL-BTD3550D02	TL-BTD3550I02	55	50	40	200	250	2400	78	152

# HIGH PRESSURE - pumps

## Gear pumps SALAMI

Positive displacement, external gear pumps intended for hydraulic systems of machines and devices. The mounting plates, shafts and connections are compliant with European and German standards. The pumps are available as single or multiple versions. The displacement ranges from 1.4 to 98 cm<sup>3</sup>/r.p.m. at the maximum working pressure 280 bar, however depends on the pump type. Some types are available as hydraulic motors.

pump type	displacement [cm <sup>3</sup> /r.p.m.]	construction
1.5PE*	1.4 ÷ 11	Cast iron mounting plate and rear cover, housing made of aluminium
2PE*	4.5 ÷ 26	Cast iron mounting plate and rear cover, housing made of aluminium
2.5PB*	11.5 ÷ 44	Cast iron mounting plate and rear cover, housing made of aluminium
3PE*	21 ÷ 75	Cast iron mounting plate and rear cover, housing made of aluminium
3.5PC*	55 ÷ 98	Cast iron mounting plate and rear cover, housing made of aluminium
PG331	23 ÷ 80	Mounting plate, housing and rear cover made of spheroidal cast iron

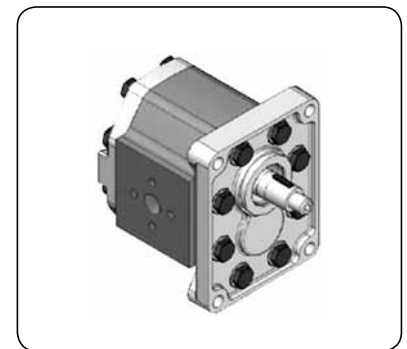
\* - available as hydraulic motors as well



**2PE type**



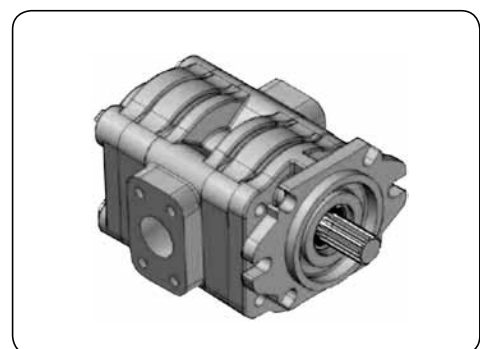
**2.5PB type**



**3PE type**



**3.5PC type**



**PG331 type**