

# INDUSTRIAL HOSES - steam

## Fittings for steam hoses

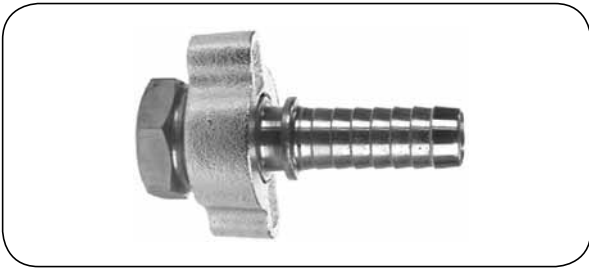


### MS fitting

**Material:** Steel, malleable iron, stainless steel, brass

Male BSPT thread fitting that provides a safe connection between a hose and an installation. Assembled on the hose with a SBC clamp.

code (steel)	code (malleable iron)	code (stainless steel)	code (brass)	thread [inch]	hose I.D. [inch]
DX-MS-04-04	-	-	-	1/4	1/4
DX-MS-04-06	-	-	-	3/8	1/4
DX-MS-06-06	-	-	-	3/8	3/8
DX-MS-08-08	-	DX-MS-08-08-SS	-	1/2	1/2
DX-MS-12-12	-	DX-MS-12-12-SS	DX-MS-12-12-B	3/4	3/4
DX-MS-12-16	-	-	-	1	3/4
DX-MS-16-12	-	-	-	3/4	1
DX-MS-16-16	-	DX-MS-16-16-SS	DX-MS-16-16-B	1	1
-	DX-MS-20-20	DX-MS-20-20-SS	DX-MS-20-20-B	1.1/4	1.1/4
-	DX-MS-24-24	DX-MS-24-24-SS	DX-MS-24-24-B	1.1/2	1.1/2
-	DX-MS-32-32	DX-MS-32-32-SS	DX-MS-32-32-B	2	2
-	DX-MS-40-40	DX-MS-40-40-SS	-	2.1/2	2.1/2
-	DX-MS-48-48	DX-MS-48-48-SS	DX-MS-48-48-B	3	3
-	DX-MS-64-64	-	-	4	4



### GF fitting

**Material:** Steel/malleable iron, stainless steel, brass

Female BSP thread fitting that provides a safe connection between a hose and an installation. Assembled on the hose with a SBC clamp.

code (steel/malleable iron)	code (stainless steel)	code (brass)	thread [inch]	hose I.D. [inch]
DX-GF-04-04	-	-	1/4	1/4
DX-GF-06-06	-	-	3/8	3/8
DX-GF-08-08	-	-	1/2	1/2
DX-GF-12-12	DX-GF-12-12-SS	DX-GF-12-12-B	3/4	3/4
DX-GF-16-16	DX-GF-16-16-SS	DX-GF-16-16-B	1	1
DX-GF-20-20	DX-GF-20-20-SS	DX-GF-20-20-B	1.1/4	1.1/4
DX-GF-24-24	DX-GF-24-24-SS	DX-GF-24-24-B	1.1/2	1.1/2
DX-GF-32-32	DX-GF-32-32-SS	DX-GF-32-32-B	2	2
DX-GF-40-40	-	-	2.1/2	2.1/2
DX-GF-48-48	-	-	3	3
DX-GF-64-64	-	-	4	4
DX-GF-80-80	-	-	6	6

# INDUSTRIAL HOSES - steam

## Fittings for steam hoses



### SBC clamp for MS, GF fittings

**Material:** Malleable iron, stainless steel, brass

Clamp designed to assemble MS and GF fittings on a hose.

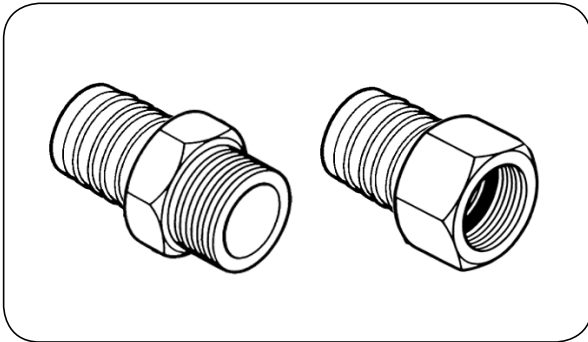
Minimum and maximum diameters listed in the table, are only an indication for a clamp choice. Structure of the hose may vary so it is essential to check if the actual size of a clamp matches. Clamps should be regularly checked and tightened during operation.

code (malleable iron)	code (stainless steel)	code (brass)	hose I.D. [inch]	hose O.D. [mm]		number of bolts
				min.	max.	
DX-SBC2-04-14-17	-	-	1/4	14	17	2
DX-SBC2-06-17-22	-	-	3/8	17.5	22	
DX-SBC2-08-20-24	-	-	1/2	20.5	24	
DX-SBC2-08-24-27	DX-SBC2-08-24/27-SS	DX-SBC2-08-24/27-B	1/2	24	27	
DX-SBC2-12-27-30	-	-	1/2	27	30	
DX-SBC2-12-30-33	DX-SBC2-12-30/33-SS	DX-SBC2-12-30/33-B	3/4	30	33	
DX-SBC2-12-33-38	DX-SBC2-12-33/38-SS	DX-SBC2-12-33/38-B	3/4	33	38	
DX-SBC2-12-38-43	-	-	3/4	38	43	
DX-SBC4-08-23-26	-	-	1/2	23	26	4
DX-SBC4-16-35-40	-	-	1	35.5	40	
DX-SBC4-16-39-43	DX-SBC4-16-39/43-SS	DX-SBC4-16-39/43-B	1	39	43.5	
DX-SBC4-16-43-49	DX-SBC4-16-43/49-SS	DX-SBC4-16-43/49-B	1	43	49	
DX-SBC4-16-49-54	-	-	1	49	54	
DX-SBC4-20-38-45	-	-	1.1/4	38	45.5	
DX-SBC4-20-45-53	-	-	1.1/4	45.5	53	
DX-SBC4-20-54-60	DX-SBC4-20-54/60-SS	DX-SBC4-20-54/60-B	1.1/4	54	60	
DX-SBC4-24-46-51	-	-	1.1/2	46	51	
DX-SBC4-24-51-56	-	-	1.1/2	51	56	
DX-SBC4-24-55-60	DX-SBC4-24-55/60-SS	DX-SBC4-24-55/60-B	1.1/2	55.5	60	
DX-SBC4-24-60-65	DX-SBC4-24-60/65-SS	DX-SBC4-24-60/65-B	1.1/2	60	65	
DX-SBC4-24-65-70	-	-	1.1/2	65	70	
DX-SBC4-32-57-63	-	-	2	57	63.5	
DX-SBC4-32-59-64	-	-	2	59.5	64	
DX-SBC4-32-63-71	DX-SBC4-32-63/71-SS	DX-SBC4-32-63/71-B	2	63.5	71	
DX-SBC4-32-70-78	DX-SBC4-32-70/78-SS	DX-SBC4-32-70/78-B	2	70	78	
DX-SBC4-32-78-87	-	-	2	78.8	87.5	
DX-SBC4-40-78-87	-	-	2.1/2	78.5	87.5	
DX-SBC4-40-89-100	-	-	2.1/2	89	100	
DX-SBC4-48-89-100	-	-	3	89	100	
DX-SBC4-48-96-103	-	-	3	96.5	103	
DX-SBC4-48-103-113	-	-	3	103	113	
DX-SBC6-48-108-122	-	-	3	108	122	6
DX-SBC6-64-117-127	-	-	4	117.5	127	
DX-SBC6-64-123-133	-	-	4	123.5	133.5	
DX-SBC6-64-133-142	-	-	4	133.5	142	
DX-SBC6-64-140-151	-	-	4	140.5	151	
DX-SBC6-80-174-187	-	-	6	174.5	187	
DX-SBC6-80-190-203	-	-	6	190	203	



# INDUSTRIAL HOSES - steam

## Fittings for steam hoses



### VSS, MSS fittings

**Material:** St (carbon steel),  
SS (AISI 316Ti stainless steel)  
Ms (brass)

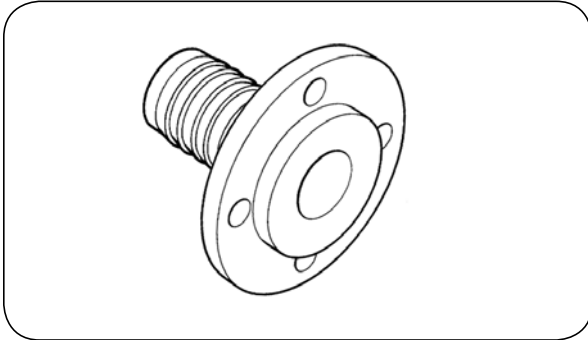
**Working press.:** 18 bar (+210°C) - saturated steam, for other application at ambient temp. up to 160 bar,  
brass - 64 bar (contact Technical Department for advice)

Fittings designed for steam rubber hoses. Assembled on the hose using clamps according to EN 14423 (DIN 2826).

VSS fitting with a male thread					MSS fitting with a female thread						
code	DN	thread	seal-face	material	code	DN	thread	seal-face	material		
RS-321130050110	DN 15 (1/2")	1/2" BSPT	thread/flat	St	RS-121130050111	DN 15 (1/2")	1/2" BSP	flat	St		
RS-321130050120			thread/flat	SS	RS-131130050111			cone	St		
RS-321130050130			thread/flat	Ms	RS-121130050122			flat	SS		
RS-321130050310		1/2" NPT	1/2" NPT	thread	St		RS-121130050133	M22x1.5	flat	Ms	
RS-321130050320				thread	SS		RS-131130221433		cone	Ms	
RS-321130050330				thread	Ms		RS-121130075111		flat	St	
RS-321130075110		DN 20 (3/4")	3/4" BSPT	thread/flat	St		RS-121130075122	DN 20 (3/4")	3/4" BSP	flat	SS
RS-321130075120				thread/flat	SS		RS-121130075133			flat	Ms
RS-321190075110	3/4" BSPT		3/4" BSPT	thread/flat	St	RS-121190075111	3/4" BSP		flat	St	
RS-321190075120				thread/flat	SS	RS-131190075111			cone	St	
RS-321190075130				thread/flat	Ms	RS-121190075122			flat	SS	
RS-321190075310				thread	St	RS-121190075133			flat	Ms	
RS-321190075320	3/4" NPT	3/4" NPT	thread	SS	RS-131190301433	M30x1.5	cone	Ms			
RS-321190075330			thread	Ms	RS-121190100111		flat	St			
RS-321190100110	DN 25 (1")	1" BSPT	thread/flat	St	RS-121190100122	DN 25 (1")	1" BSP	flat	SS		
RS-321190100120			thread/flat	SS	RS-121190100133			flat	Ms		
RS-321250100110		1" BSPT	1" BSPT	thread/flat	St		RS-121250100111	1" BSP	flat	St	
RS-321250100120				thread/flat	SS		RS-131250100111		cone	St	
RS-321250100130				thread/flat	Ms		RS-121250100122		flat	SS	
RS-321250100310				thread	St		RS-121250100133		flat	Ms	
RS-321250100320	1" NPT	1" NPT	thread	SS	RS-131250381433	M38x1.5	cone	Ms			
RS-321250100330			thread	Ms	RS-121250125111		flat	St			
RS-321320125110	DN 32 (1.1/4")	1.1/4" BSPT	thread/flat	St	RS-121250125122	DN 32 (1.1/4")	1.1/4" BSP	flat	SS		
RS-321320125120			thread/flat	SS	RS-121250125133			flat	Ms		
RS-321320125130			thread/flat	Ms	RS-121320125111			flat	St		
RS-321320125310		1.1/4" NPT	1.1/4" NPT	thread	St		RS-131320125111	1.1/4" BSP	cone	St	
RS-321320125320				thread	SS		RS-121320125122		flat	SS	
RS-321320125330				thread	Ms		RS-121320125133		flat	Ms	
RS-321380150110	DN 40 (1.1/2")	1.1/2" BSPT	thread/flat	St	RS-131320451433	DN 40 (1.1/2")	1.1/2" BSP	M45x1.5	cone	Ms	
RS-321380150120			thread/flat	SS	RS-121380150111			flat	St		
RS-321380150130			thread/flat	Ms	RS-131380150111			cone	St		
RS-321380150310		1.1/2" NPT	1.1/2" NPT	thread	St		RS-121380150122	1.1/2" BSP	flat	SS	
RS-321380150320				thread	SS		RS-121380150133		flat	Ms	
RS-321380150330				thread	Ms		RS-131380521433		M52x1.5	cone	Ms
RS-321500200110	DN 50 (2")	2" BSPT	thread/flat	St	RS-121500200111	DN 50 (2")	2" BSP	flat	St		
RS-321500200120			thread/flat	SS	RS-131500200111			cone	St		
RS-321500200130			thread/flat	Ms	RS-121500200122			flat	SS		
RS-321500200310		2" NPT	2" NPT	thread	St		RS-121500200133	2" BSP	flat	Ms	
RS-321500200320				thread	SS		RS-131500652433		flat	Ms	
RS-321500200330				thread	Ms				M65x2	cone	Ms

# INDUSTRIAL HOSES - steam

## Fittings for steam hoses



### Swivel flange FSS

**Material:** St (carbon steel),  
SS (AISI 316Ti stainless steel)

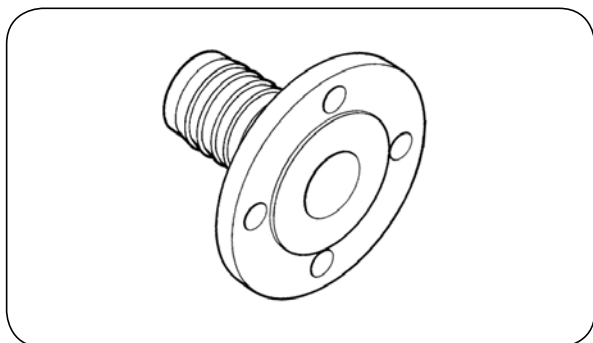
**Working press.:** 18 bar (+210°C) - saturated steam, for other application at ambient temp. up to 160 bar,  
From DN 65 - 64 bar (contact Technical Department for advice)

Swivel flange designed for steam rubber hoses. Assembled on the hose using clamps according to EN 14423 (DIN 2826).

code	size	flange	material	code	size	flange	material
RS-970013000211	DN 15 (1/2")	PN 10/16	St	RS-970038000211	DN 40 (1.1/2")	PN 10/16	St
RS-970013000221			SS/St	RS-970038000221			SS/St
RS-970013000222			SS	RS-970038000222			SS
RS-970013000411		PN 25/40	St	RS-970038000411		PN 25/40	St
RS-970013000421			SS/St	RS-970038000421			SS/St
RS-970013000422			SS	RS-970038000422			SS
RS-970013000711			ASA 150	RS-970038000711			ASA 150
RS-970013000811			ASA 300	RS-970038000811			ASA 300
RS-970019000211	DN 20 (3/4")	PN 10/16	St	RS-970050000211	DN 50 (2")	PN 10/16	St
RS-970019000221			SS/St	RS-970050000221			SS/St
RS-970019000222			SS	RS-970050000222			SS
RS-970019000411		PN 25/40	St	RS-970050000411		PN 25/40	St
RS-970019000421			SS/St	RS-970050000421			SS/St
RS-970019000422			SS	RS-970050000422			SS
RS-970019000711			ASA 150	RS-970050000711			ASA 150
RS-970019000811			ASA 300	RS-970050000811			ASA 300
RS-970025000211	DN 25 (1")	PN 10/16	St	RS-970065000211	DN 65 (2.1/2")	PN 10/16	St
RS-970025000221			SS/St	RS-970065000411		PN 25/40	St
RS-970025000222			SS	RS-970065000711		ASA 150	St
RS-970025000411		PN 25/40	St	RS-970065000811		ASA 300	St
RS-970025000421			SS/St	RS-970075000021	DN80 (3")	PN 10/16	St
RS-970025000422			SS	RS-970075000411		PN 25/40	St
RS-970025000711			ASA 150	RS-970075000711		ASA 150	St
RS-970025000811			ASA 300	RS-970075000811	ASA 300	St	
RS-970032000211	DN 32 (1.1/4")	PN 10/16	St	RS-970100000211	DN 100 (4")	PN 10/16	St
RS-970032000221			SS/St	RS-970100000411		PN 25/40	St
RS-970032000222			SS	RS-970100000711		ASA 150	St
RS-970032000411		PN 25/40	St	RS-970100000811		ASA 300	St
RS-970032000421			SS/St				
RS-970032000422			SS				
RS-970032000711			ASA 150				
RS-970032000811			ASA 300				

# INDUSTRIAL HOSES - steam

## Fittings for steam hoses



### Fixed flange FSS

**Material:** St (carbon steel),  
SS (AISI 316Ti stainless steel)

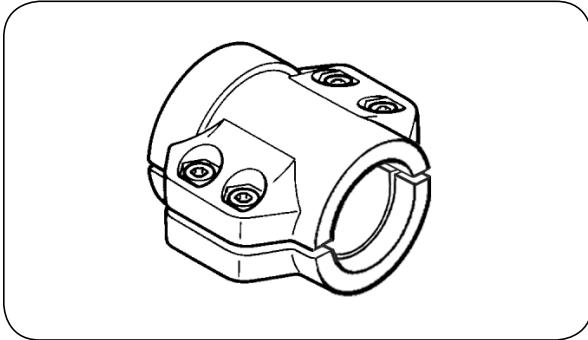
**Working press.:** 18 bar (+210°C) - saturated steam, for other application at ambient temp. up to 160 bar,  
From DN 65 - 64 bar (contact Technical Department for advice)

Fixed flange designed for steam rubber hoses. Assembled on the hose using clamps according to EN 14423 (DIN 2826).

code	size	flange	material	code	size	flange	material
RS-980013000210	DN 15 (1/2")	PN 10/16	St	RS-980038000210	DN 40 (1.1/2")	PN 10/16	St
RS-980013000220			SS	RS-980038000220			SS
RS-980013000410		PN 25/40	St	RS-980038000410		ASA 150	St
RS-980013000420			SS	RS-980038000420			SS
RS-980013000710			St	RS-980038000710			St
RS-980013000810			St	RS-980038000810			St
RS-980019000210	DN 20 (3/4")	PN 10/16	St	RS-980050000210	DN 50 (2")	PN 10/16	St
RS-980019000220			SS	RS-980050000220			SS
RS-980019000410		PN 25/40	St	RS-980050000410		ASA 150	St
RS-980019000420			SS	RS-980050000420			SS
RS-980019000710			St	RS-980050000710			St
RS-980019000810			St	RS-980050000810			St
RS-980025000210	DN 25 (1")	PN 10/16	St	RS-980065000210	DN 65 (2.1/2")	PN 10/16	St
RS-980025000220			SS	RS-980065000410			St
RS-980025000410		PN 25/40	St	RS-980065000710		ASA 150	St
RS-980025000420			SS	RS-980065000810			SS
RS-980025000710			St	RS-980075000210			St
RS-980025000810			St	RS-980075000410			St
RS-980032000210	DN32 (1.1/4")	PN 10/16	St	RS-980075000710	DN80 (3")	PN 10/16	St
RS-980032000220			SS	RS-980075000810			SS
RS-980032000410		PN 25/40	St	RS-980100000210		ASA 150	St
RS-980032000420			SS	RS-980100000410			SS
RS-980032000710			St	RS-980100000710			St
RS-980032000810			St	RS-980100000810			St
					DN 100 (4")	PN 25/40	St
						ASA 150	St
						ASA 300	St

# INDUSTRIAL HOSES - steam

## Fittings for steam hoses



### Safety clamps EN 14423 (DIN 2826) for VSS, MSS, FSS

**Material:** Ms (cast brass)  
Ms\* (forged brass)  
SS (AISI 316Ti stainless steel)

**Working press.:** 18 bar (+210°C) - saturated steam, for other application at ambient temperature up to 160 bar (contact Technical Department for advice)

Safety clamps are used for assembling VSS, MSS and FSS fittings on hoses. They are designed especially for rubber steam hoses.

code	hose I.D x W.T. [mm]	D min ÷ max [mm]	material	bolts	code	hose I.D x W.T. [mm]	D min ÷ max [mm]	material	bolts
RS-635013005030	13 x 5	22 ÷ 24	Ms*	M6x20	RS-635050009020	50 x 9	67 ÷ 69	SS	M10x40
RS-635013006020	13 x 6	24 ÷ 26	SS		RS-635050009030			Ms*	
RS-635013006030			Ms*		RS-635050010030	Ms*			
RS-635013007030	13 x 7	26 ÷ 28	Ms*		RS-635050012030	50 x 12	73 ÷ 76	Ms	
RS-635019006030	19 x 6	30 ÷ 33	Ms*		RS-635065010030	65 x 10	84 ÷ 87	Ms	
RS-635019007020	19 x 7	32 ÷ 34	SS	RS-635065012030	65 x 12	88 ÷ 91	Ms		
RS-635019007030			Ms*	RS-635075010030	75 x 10	94 ÷ 97	Ms		
RS-635019008030			19 x 8	34 ÷ 36	Ms*	RS-635075012030	75 x 12	98 ÷ 101	
RS-635025007030	25 x 6.5	37 ÷ 39	Ms*	RS-635075014030	75 x 14	102 ÷ 105	Ms		
RS-635025008020	25 x 7.5	39 ÷ 41	SS	RS-637100008020	100 x 8	114 ÷ 119	SS		
RS-635025008030			Ms*	RS-637100008030			Ms*		
RS-635025009030	25 x 8.5	41 ÷ 43	Ms*	RS-637100010030	100 x 10	118 ÷ 122	Ms		
RS-635032006030	32 x 6	43 ÷ 46	Ms*	RS-637100012030	100 x 12	122 ÷ 126	Ms		
RS-635032008020	32 x 8	47 ÷ 50	SS	RS-637100014030	100 x 14	126 ÷ 130	Ms		
RS-635032008030			Ms*	RS-637100016030	100 x 16	130 ÷ 134	Ms		
RS-635038008020			38 x 8	53 ÷ 56	SS				
RS-635038008030	38 x 8	53 ÷ 56	Ms*						
RS-635038010030			38 x 10	57 ÷ 60	Ms*				

# INDUSTRIAL HOSES - steam

## Fittings for steam hoses



### SSF fittings

**Material:** SS (AISI 304 stainless steel)  
Brass

**Working press.:** 18 bar (+210°C)

Economical version of fittings intended for rubber steam hoses. Assembled in the hose using EN 14423 (DIN 2826) clamps.

Female thread fittings					
code	size	thread [inch]	diameter [mm]	seal	material
TI-SSF-FB-08-08MS	DN15	1/2 BSP	15	flat	Ms
TI-SSF-FB-08-08SS					SS
TI-SSF-FB-12-12MS	DN20	3/4 BSP	21	flat	Ms
TI-SSF-FB-12-12SS					SS
TI-SSF-FB-16-16MS	DN25	1 BSP	27	flat	Ms
TI-SSF-FB-16-16SS					SS
TI-SSF-FB-20-20MS	DN32	1.1/4 BSP	34	flat	Ms
TI-SSF-FB-20-20SS					SS
TI-SSF-FB-24-24MS	DN38	1.1/2 BSP	40.5	flat	Ms
TI-SSF-FB-24-24SS					SS
TI-SSF-FB-32-32MS	DN50	2 BSP	52.5	flat	Ms
TI-SSF-FB-32-32SS					SS

Male thread fittings					
code	size	thread [inch]	diameter [mm]	seal	material
TI-SSF-MB-08-08MS	DN15	1/2 BSPT	15	thread / flat	Ms
TI-SSF-MB-08-08SS					SS
TI-SSF-MB-12-12MS	DN20	3/4 BSPT	21	thread / flat	Ms
TI-SSF-MB-12-12SS					SS
TI-SSF-MB-16-16MS	DN25	1 BSPT	27	thread / flat	Ms
TI-SSF-MB-16-16SS					SS
TI-SSF-MB-20-20MS	DN32	1.1/4 BSPT	34	thread / flat	Ms
TI-SSF-MB-20-20SS					SS
TI-SSF-MB-24-24MS	DN38	1.1/2 BSPT	40.5	thread / flat	Ms
TI-SSF-MB-24-24SS					SS
TI-SSF-MB-32-32MS	DN50	2 BSPT	52.5	thread / flat	Ms
TI-SSF-MB-32-32SS					SS

## INDUSTRIAL HOSES - steam

### Fittings for steam hoses



### Safety clamps SSC (EN 14423)

**Material:** SS (AISI 316 stainless steel)  
Brass

**Working press.:** 18 bar (+210°C)

Economical version of safety clamps intended for steam rubber hoses mainly.

code	hose I.D x W.T. [mm]	D min ÷ max [mm]	material
TI-SSC-013-060MS	13 x 6	24 ÷ 26	Ms
TI-SSC-013-060SS			SS
TI-SSC-019-050SS	19 x 5	28 ÷ 30	SS
TI-SSC-019-070MS	19 x 7	32 ÷ 34	Ms
TI-SSC-019-070SS			SS
TI-SSC-025-075MS	25 x 7.5	39 ÷ 41	Ms
TI-SSC-025-075SS			SS
TI-SSC-032-080MS	32 x 8	47 ÷ 50	Ms
TI-SSC-032-080SS			SS
TI-SSC-038-080MS	38 x 8	53 ÷ 56	Ms
TI-SSC-038-080SS			SS
TI-SSC-050-090MS	50 x 9	67 ÷ 69	Ms
TI-SSC-050-090SS			SS