

INDUSTRIAL PNEUMATICS - air treatment units

BIT series

Main advantages of BIT air preparation system are reduced dimensions, long service life and excellent quality-to-price ratio. Especially recommended for de-centralized compressed air systems or near the final actuators.



FIL filter

Size: 1/8" 1/4"
Degree of filtration: 5 µm, 20 µm, 50 µm
Inlet pressure: Up to 13 bar
Working temp.: Up to +50°C
Connection: 1/8", 1/4" BSP female thread
Condensate drain: Manual / automatic (RMSA)
 Automatic drain (SAC)
Flow rate: 1200 l/min - 1/8"
 1200 l/min - 1/4"
 (input pressure 6 bar and $\Delta p = 1$ bar)

FIL	BIT	1/8	5	RMSA
element	series	connection	degree of filtration	condensate drain
FIL - filtr	BIT	1/8 - 1/8" 1/4 - 1/4"	5 - 5 µm 20 - 20 µm 50 - 50 µm	RMSA - manual/ semi-automatic SAC - automatic, using pressure drop

1/8"		1/4"		degree of filtration [µm]	condensate drain
code	type	code	type		
MW-5101001	FIL BIT 1/8 5 RMSA	MW-5201001	FIL BIT 1/4 5 RMSA	5	RMSA
MW-5101002	FIL BIT 1/8 20 RMSA	MW-5201002	FIL BIT 1/4 20 RMSA	20	
MW-5101003	FIL BIT 1/8 50 RMSA	MW-5201003	FIL BIT 1/4 50 RMSA	50	
MW-5101004	FIL BIT 1/8 5 SAC	MW-5201004	FIL BIT 1/4 5 SAC	5	SAC
MW-5101005	FIL BIT 1/8 20 SAC	MW-5201005	FIL BIT 1/4 20 SAC	20	
MW-5101006	FIL BIT 1/8 50 SAC	MW-5201006	FIL BIT 1/4 50 SAC	50	

Condensate draining, replacing filter inserts - service tips

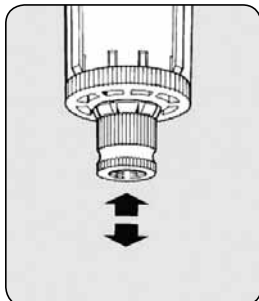


fig. 1a

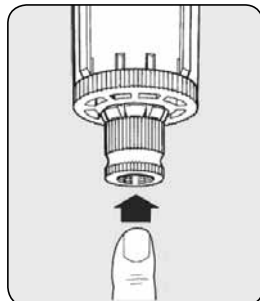


fig. 1b

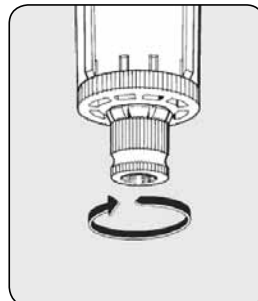


fig. 1c



fig. 1d

When the handwheel is in the centre position, the drain valve is semi-automatic. It opens when the tank is vented and closes after tank is pressurised (fig. 1a). To drain the pressurised tank, press the drain valve (fig. 1b). Clockwise turn of the handwheel closes the drain valve regardless of the tank pressure (fig. 1c). To clean or replace filter inserts, unscrew the separator screen of the centrifuge (fig. 1d). To disassemble the tank use MW-9170601 key.

INDUSTRIAL PNEUMATICS - air treatment units

BIT series



MR regulator

Size: 1/8", 1/4"
Outlet press. range: 0÷2, 0÷4, 0÷8, 0÷12 bar
Inlet pressure: Up to 13 bar
Working temp.: Up to +50°C
Connection: 1/8", 1/4" BSP female thread
Pressure gauge port: 1/8" BSP female thread
Flow rate: 600 l/min - 1/8"
 600 l/min - 1/4"
 (input pressure 6 bar and $\Delta p = 1$ bar)

MR

BIT

FC

1/8

02

element	series	version	connection	outlet pressure range
MR - regulating valve MRA - water regulating valve	BIT	FC SR	1/8 - 1/8" 1/4 - 1/4"	02 - 0÷2 bar 04 - 0÷4 bar 08 - 0÷8 bar 012 - 0÷12 bar

- MR BIT - standard version for pressure adjustment of compressed air in pneumatic system
- MR BIT FC - controlled relief to allow greater accuracy in regulation by means of slight, continuous air relief.
- MR BIT SR - relieves the downstream circuit quickly when the upstream pressure drops. Mount the SR regulator between the start-up valve and the final application.
- MRA BIT - regulates pressure in water circuits; without secondary venting.

1/8"		1/4"		outlet pressure range [bar]	version
code	type	code	type		
MW-5102001	MR BIT SR 1/8 02	MW-5202001	MR BIT SR 1/4 02	0 ÷ 2	MR BIT SR
MW-5102002	MR BIT SR 1/8 04	MW-5202002	MR BIT SR 1/4 04	0 ÷ 4	
MW-5102003	MR BIT SR 1/8 08	MW-5202003	MR BIT SR 1/4 08	0 ÷ 8	
MW-5102004	MR BIT SR 1/8 012	MW-5202004	MR BIT SR 1/4 012	0 ÷ 12	
MW-5107001	MR BIT 1/8 02	MW-5207001	MR BIT 1/4 02	0 ÷ 2	MR BIT
MW-5107002	MR BIT 1/8 04	MW-5207002	MR BIT 1/4 04	0 ÷ 4	
MW-5107003	MR BIT 1/8 08	MW-5207003	MR BIT 1/4 08	0 ÷ 8	
MW-5107004	MR BIT 1/8 012	MW-5207004	MR BIT 1/4 012	0 ÷ 12	
MW-5108001	MRA BIT 1/8 02	MW-5208001	MRA BIT 1/4 02	0 ÷ 2	MRA BIT
MW-5108002	MRA BIT 1/8 04	MW-5208002	MRA BIT 1/4 04	0 ÷ 4	
MW-5108003	MRA BIT 1/8 08	MW-5208003	MRA BIT 1/4 08	0 ÷ 8	
MW-5108004	MRA BIT 1/8 012	MW-5208004	MRA BIT 1/4 012	0 ÷ 12	
MW-5111001	MR BIT FC 1/8 02	MW-5211001	MR BIT FC 1/4 02	0 ÷ 2	MR BIT FC
MW-5111002	MR BIT FC 1/8 04	MW-5211002	MR BIT FC 1/4 04	0 ÷ 4	



Padlockable microregulator

BIT series micro-regulator valve is also available with a padlock. A pin with a hole projects from the top of the knob. When the knob is in the push-lock position, the padlock can be inserted in the hole, preventing any changes in the setting of the microregulator. A padlock and two keys are supplied with the regulator.

INDUSTRIAL PNEUMATICS - air treatment units

BIT series



FR filter - regulator

Size: 1/8" 1/4"
Outlet press. range: 0÷2, 0÷4, 0÷8, 0÷12 bar
Degree of filtration: 5 µm, 20 µm, 50 µm
Inlet pressure: Up to 13 bar
Working temp.: Up to +50°C
Connection: 1/8" 1/4" BSP female thread
Pressure gauge port: 1/8" BSP female thread
Flow rate: 600 l/min - 1/8"
 600 l/min - 1/4"
 (input pressure 6 bar and Δp = 1 bar)

FR	BIT	1/4	5	02	RMSA
element	series	connection	degree of filtration	outlet pressure range	condensate drain
FR - filter regulator	BIT	1/8 - 1/8" 1/4 - 1/4"	5 - 5 µm 20 - 20 µm 50 - 50 µm	02 - 0÷2 bar 04 - 0÷4 bar 08 - 0÷8 bar 012 - 0÷12 bar	RMSA - manual/ semi-automatic SAC - automatic, using pressure drop

1/8"		1/4"		outlet pressure range [bar]	degree of filtration [µm]	condensate drain
code	type	code	type			
MW-5105001	FR BIT 1/8 5 02 RMSA	MW-5205001	FR BIT 1/4 5 02 RMSA	0 ÷ 2	5	RMSA
MW-5105013	FR BIT 1/8 5 02 SAC	MW-5205013	FR BIT 1/4 5 02 SAC			SAC
MW-5105002	FR BIT 1/8 20 02 RMSA	MW-5205002	FR BIT 1/4 20 02 RMSA			RMSA
MW-5105014	FR BIT 1/8 20 02 SAC	MW-5205014	FR BIT 1/4 20 02 SAC		SAC	
MW-5105003	FR BIT 1/8 50 02 RMSA	MW-5205003	FR BIT 1/4 50 02 RMSA		50	RMSA
MW-5105015	FR BIT 1/8 50 02 SAC	MW-5205015	FR BIT 1/4 50 02 SAC			SAC
MW-5105004	FR BIT 1/8 5 04 RMSA	MW-5205004	FR BIT 1/4 5 04 RMSA	0 ÷ 4		RMSA
MW-5105016	FR BIT 1/8 5 04 SAC	MW-5205016	FR BIT 1/4 5 04 SAC		SAC	
MW-5105005	FR BIT 1/8 20 04 RMSA	MW-5205005	FR BIT 1/4 20 04 RMSA		20	RMSA
MW-5105017	FR BIT 1/8 20 04 SAC	MW-5205017	FR BIT 1/4 20 04 SAC			SAC
MW-5105006	FR BIT 1/8 50 04 RMSA	MW-5205006	FR BIT 1/4 50 04 RMSA			50
MW-5105018	FR BIT 1/8 50 04 SAC	MW-5205018	FR BIT 1/4 50 04 SAC		SAC	
MW-5105007	FR BIT 1/8 5 08 RMSA	MW-5205007	FR BIT 1/4 5 08 RMSA	0 ÷ 8	RMSA	
MW-5105019	FR BIT 1/8 5 08 SAC	MW-5205019	FR BIT 1/4 5 08 SAC		SAC	
MW-5105008	FR BIT 1/8 20 08 RMSA	MW-5205008	FR BIT 1/4 20 08 RMSA		20	RMSA
MW-5105020	FR BIT 1/8 20 08 SAC	MW-5205020	FR BIT 1/4 20 08 SAC			SAC
MW-5105009	FR BIT 1/8 50 08 RMSA	MW-5205009	FR BIT 1/4 50 08 RMSA			50
MW-5105021	FR BIT 1/8 50 08 SAC	MW-5205021	FR BIT 1/4 50 08 SAC		SAC	
MW-5105010	FR BIT 1/8 5 012 RMSA	MW-5205010	FR BIT 1/4 5 012 RMSA	0 ÷ 12	RMSA	
MW-5105022	FR BIT 1/8 5 012 SAC	MW-5205022	FR BIT 1/4 5 012 SAC		SAC	
MW-5105011	FR BIT 1/8 20 012 RMSA	MW-5205011	FR BIT 1/4 20 012 RMSA		20	RMSA
MW-5105023	FR BIT 1/8 20 012 SAC	MW-5205023	FR BIT 1/4 20 012 SAC			SAC
MW-5105012	FR BIT 1/8 50 012 RMSA	MW-5205012	FR BIT 1/4 50 012 RMSA			50
MW-5105024	FR BIT 1/8 50 012 SAC	MW-5205024	FR BIT 1/4 50 012 SAC		SAC	

INDUSTRIAL PNEUMATICS - air treatment units

BIT series



LUB lubricator

Size:	1/8", 1/4"
Tank volume:	26.5 cm ³
Inlet pressure:	Up to 13 bar
Working temp.:	Up to +50°C
Connection:	1/8", 1/4" BSP female thread
Flow rate:	710 l/min - 1/8" 710 l/min - 1/4" (input pressure 6 bar and $\Delta p = 1$ bar)

Compressed air lubricator is designed to saturate working medium with oil. It protects against corrosion and reduces the wear of pneumatic system elements.

LUB

BIT

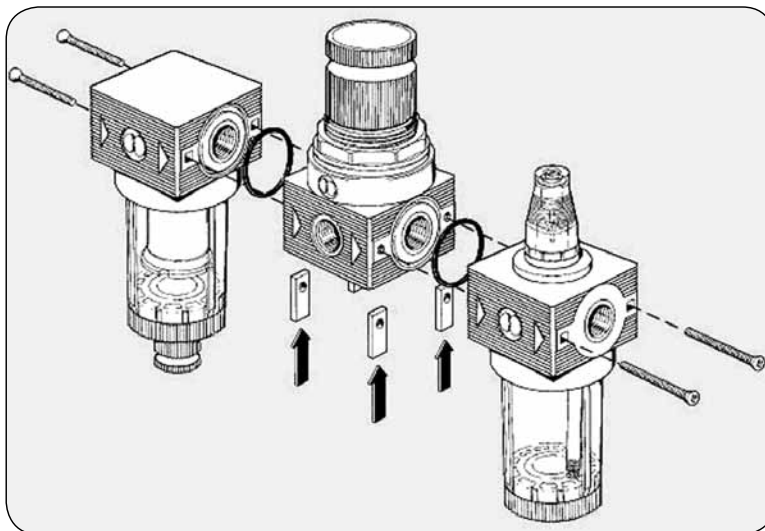
1/4

element	series	connection
LUB - lubricator	BIT	1/8 - 1/8" 1/4 - 1/4"

1/8"		1/4"	
code	type	code	type
MW-5103001	LUB BIT 1/8	MW-5203001	LUB BIT 1/4

Air preparation elements of BIT series can be combined into units according to customer specifications.

BIT elements assembly



- Fit the mounting plates (MW-9170201 assembly set) in the slots under the body of BIT element.
- Check if there are O-rings between threaded connections.
- Check the compatibility of flow direction with the arrows on the body of elements, connect elements.

Also available: wall mounting brackets (MW-9200701; MW-9170301) and spare parts: filter and lubricator tanks, handwheel sets for regulating valves, removable filter inserts and many other.

BIT series



Distributor

- Versions: PA
- Max. working pressure: 13 bar
- Max. working temperature: +50°C



Air preparation unit - F+R+L

- Versions: F+R+L BIT 1/8", F+R+L BIT 1/4"
- Unit elements: filter, regulating valve, lubricator
- Threaded connection: 1/8", 1/4"
- Outlet pressure range: 0 - 2 - 4 - 8 - 12 bar
- Degree of filtration: 5 - 20 - 50 µm
- Nominal flow rate (at 6 bar, Δp = 1 bar): 280 l/min
- Max. inlet pressure: 13 bar
- Max. working temperature: +50°C
- Condensate drain: manual, semi-automatic or automatic



Air preparation unit - FR+L

- Versions: FR+L BIT 1/8", FR+L BIT 1/4"
- Unit elements: filter + regulating valve, lubricator
- Threaded connection: 1/8", 1/4"
- Outlet pressure range: 0 - 2 - 4 - 8 - 12 bar
- Degree of filtration: 5 - 20 - 50 µm
- Nominal flow rate (at 6 bar, Δp = 1 bar): 260 l/min
- Max. inlet pressure: 13 bar
- Max. working temperature: +50°C
- Condensate drain: manual, semi-automatic or automatic



Air preparation unit - F+D

- Versions: F+D BIT 1/8", F+D BIT 1/4"
- Unit elements: filter, precision filter
- Threaded connection: 1/8", 1/4"
- Degree of filtration: filter: 5 µm - precision filter: 0.01 µm
- Nominal flow rate (at 6 bar Δp = 1 bar): 750 l/min
- Max. inlet pressure: 13 bar
- Max. working temperature: +50°C
- Condensate drain: manual, semi-automatic or automatic



Air preparation unit - F+L

- Versions: F+L BIT 1/8", F+L BIT 1/4"
- Unit elements: filter, lubricator
- Threaded connection: 1/8", 1/4"
- Degree of filtration: 5 - 20 - 50 µm
- Nominal flow rate (at 6 bar, Δp = 1 bar): 600 l/min
- Max. inlet pressure: 13 bar
- Max. working temperature: +50°C
- Condensate drain: manual, semi-automatic or automatic