

INDUSTRIAL PNEUMATICS - fittings

Push-in fittings - R series

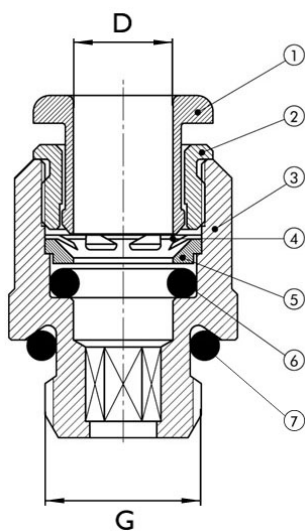


Material: Nickel-plated brass, technopolymer
Seal: 16 bar (brass), 12 bar (technopolymer)
Working press.: NBR
Vacuum: Vacuum
Working temp.: From -20°C up to +80°C (brass),
 From -20°C up to +60°C (technopolymer)

Push-in fittings are designed to connect pneumatic hoses with calibrated outside diameter. The connection is achieved by pushing the hose into the fitting. To disconnect, the body has to be pressed towards release bushing. It is recommended to use these fittings with hoses made of polyamide. The hoses made of polyurethane or other materials can also be used.

R series push-in fittings and Fox series miniature fittings, manufactured by Metal Work, are the best solution for connecting pipes and actuators in pneumatic systems. Available in various configurations for virtually unlimited application. Quick and easy to use, the push-in fittings can be re-used thousands of times without affecting the pneumatic and mechanical seal in any way. The clamping spring of special shape grips the pipe without scratching or deforming it and facilitates release.

Construction:



D (hose O.D.):
3, 3.17, 4, 5, 6, 8, 10, 12, 14 mm

- 1 Ring or release bushing: technopolymer
- 2 Locking bushing: brass or technopolymer
- 3 Body: brass or technopolymer
- 4 Clamping spring: stainless steel (for pipes Ø 3 and Ø 3.17 and R31 and R32: brass gripper)
- 5 Spring supporting ring: technopolymer
- 6 Seal: NBR
- 7 O-ring: NBR

G (the size of a connection thread):
M3, M5, M7, M12x1.5, 1/8", 1/4", 3/8", 1/2"

O-ring (pos. 7):

thread	O-ring
M3	2.6x1
M5 (3 and 3.17)	3x1.2
M5	3.5x1.2
M7	5x1.5
M12x1.5	9.75x1.78
1/8"	7.66x1.78
1/4"	10.82x1.78
3/8"	14x1.78
1/2"	17.13x2.62



FOX mini series

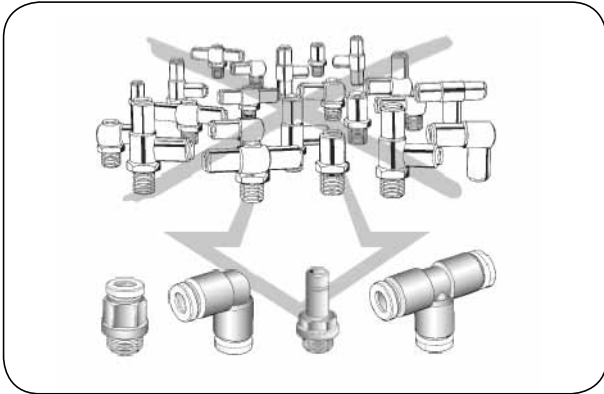
RL (FOX) miniature series (with reduced outside dimensions, for hoses with outside diameter ranging from 3 to 10 mm) is intended to allow the use of push-in fittings where the room for assembly is limited (e.g. small distribution valves). In the RL Ø4 and Ø 8 fittings the release bushing has patented screwdriver slots to facilitate disconnection in tight construction.

A mounting grip of RL21 and RL22 fittings (elbow and tee) has a ring for fixing to the wall asymmetrically in order to contain the head of a screw within the overall dimensions of the fitting.

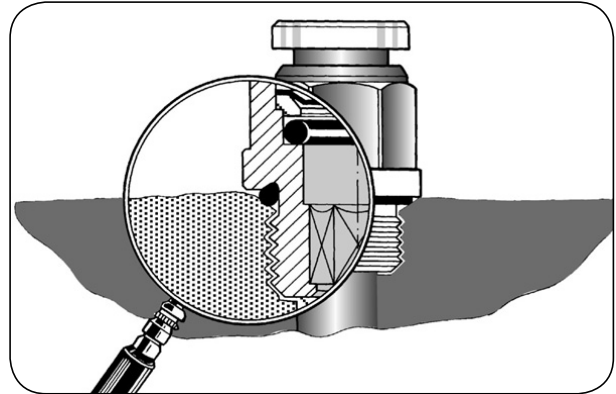
RL fittings Ø8 are not compatible with R7, R8 and R9 fittings of an older R series.

INDUSTRIAL PNEUMATICS - fittings

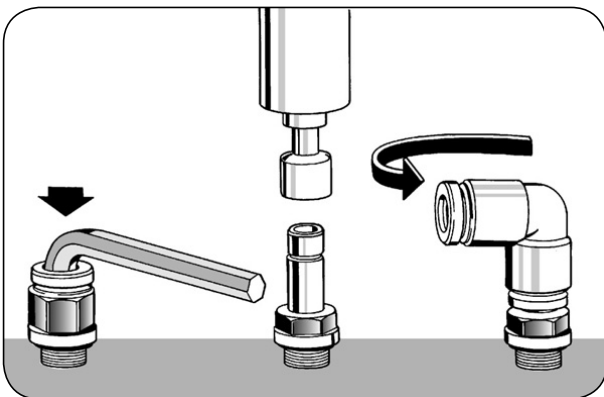
Push-in fittings - R series



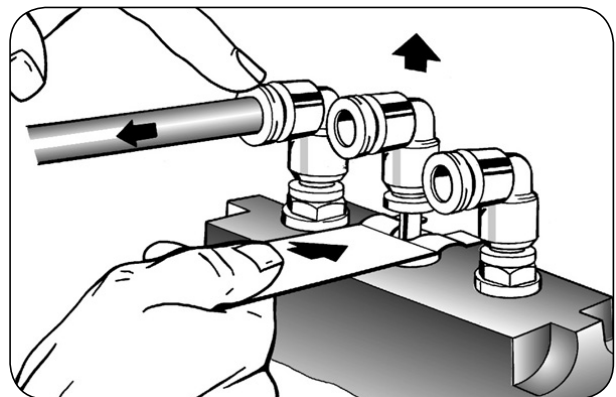
Despite a wide range of available types of push-in fittings, a complete system can be created using just four different types (R1, R4, R6, R5). Therefore storage costs are significantly reduced.



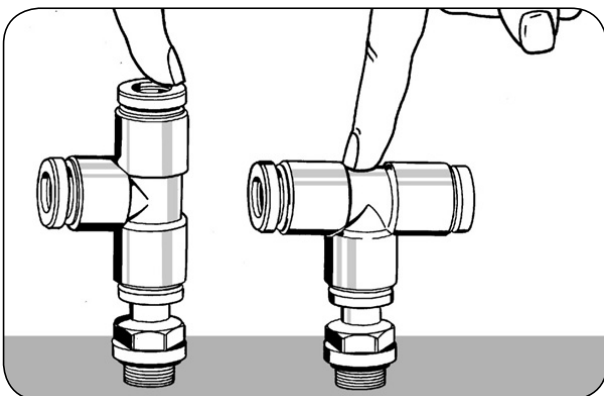
All fittings with a male parallel thread are equipped with an O-ring (Metal Work patented solution). The use of an O-ring considerably improves the seal of angled, rough, and slightly convex surfaces. PTFE tape does not have to be used at all.



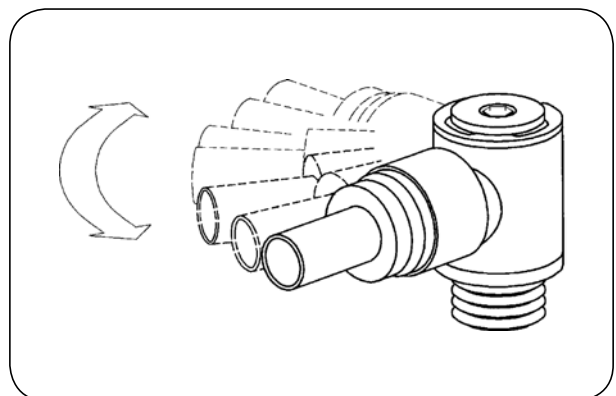
Fittings can be assembled with an Allen wrench or pneumatic tools. All elbows and tees are rotary so assembly time is significantly reduced.



The pipe is easy to disassemble (by gentle pressing both a release bushing and fitting - by radial push of spanner).



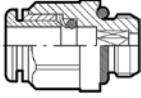
A single tee can give a central or lateral tee.

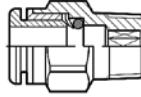


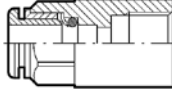
A special version (e.g. R15, R16) with two O-rings allows maximum orientation so that the fitting can follow hose movement.

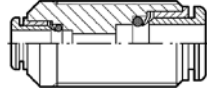
INDUSTRIAL PNEUMATICS - fittings

Push-in fittings - R series

Push-in connector with male thread, brass		
		
R 1		
code	hose O.D. [mm]	thread size
MW-2001B01	3	M3
MW-2001B02	3	M5
MW-2001A01	3.17	M3
MW-2001A02	3.17	M5
MW-2L01001	4	M5
MW-2L01020	4	M7
MW-2L01002	4	1/8"
MW-2L01003	4	1/4"
MW-2001004	5	M5
MW-2001005	5	1/8"
MW-2001006	5	1/4"
MW-2L01000	6	M5
MW-2L01021	6	M7
MW-2L01101	6	M12x1.5
MW-2L01007	6	1/8"
MW-2L01008	6	1/4"
MW-2L01009	8	1/8"
MW-2L01010	8	1/4"
MW-2L01011	8	3/8"
MW-2L01102	8	M12x1.5
MW-2L01012	10	1/4"
MW-2L01013	10	3/8"
MW-2L01018	10	1/2"
MW-2001019	12	1/4"
MW-2001014	12	3/8"
MW-2001015	12	1/2"
MW-2001016	14	3/8"
MW-2001017	14	1/2"

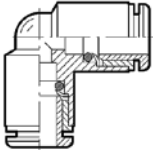
Push-in connector with male conical thread, brass		
		
R 1C		
code	hose O.D. [mm]	thread size
MW-2L01C02	4	1/8"
MW-2L01C07	6	1/8"
MW-2L01C08	6	1/4"
MW-2001Z07	6	12x1
MW-2001Z08	6	12x1.25
MW-2L01C09	8	1/8"
MW-2L01C10	8	1/4"
MW-2L01C11	8	3/8"
MW-2L01C13	10	1/4"
MW-2L01C14	10	3/8"
MW-2001C15	12	3/8"
MW-2001C16	12	1/2"

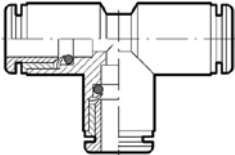
Push-in connector with female thread, brass		
		
R 2		
code	hose O.D. [mm]	thread size
MW-2002B02	3	M5
MW-2002A02	3.17	M5
MW-2L02001	4	1/8"
MW-2L02002	4	1/4"
MW-2002003	5	1/8"
MW-2002004	5	1/4"
MW-2L02005	6	1/8"
MW-2L02006	6	1/4"
MW-2L02007	8	1/8"
MW-2L02008	8	1/4"
MW-2L02009	10	1/4"
MW-2L02010	10	3/8"
MW-2L02011	12	3/8"
MW-2L02012	12	1/2"


Straight adapter, brass		
		
R 3		
code	hose O.D. [mm]	
MW-2003A02	3	
MW-2003A01	3.17	
MW-2L03001	4	
MW-2003002	5	
MW-2L03003	6	
MW-2L03004	8	
MW-2L03005	10	
MW-2003006	12	
MW-2003007	14	
MW-2L03301	4	6
MW-2L03302	4	8
MW-2L03303	6	8
MW-2L03304	6	10
MW-2L03306	6	12
MW-2L03305	8	10
MW-2L03307	8	12
MW-2L03308	10	12

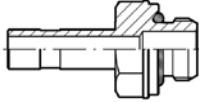
INDUSTRIAL PNEUMATICS - fittings

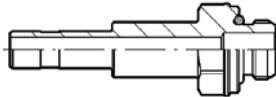
Push-in fittings - R series

90° elbow adapter, brass	
	
R 4	
code	hose O.D. [mm]
MW-2004A02	3
MW-2004A01	3.17
MW-2L04001	4
MW-2004002	5
MW-2L04003	6
MW-2L04004	8
MW-2L04005	10
MW-2004006	12
MW-2004007	14

Tee adapter, brass	
	
R 5	
code	hose O.D. [mm]
MW-2005A02	3
MW-2005A01	3.17
MW-2L05001	4
MW-2005002	5
MW-2L05003	6
MW-2L05004	8
MW-2L05005	10
MW-2005006	12
MW-2005007	14

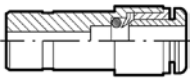
Straight stem fitting, brass	
	
R 7	
code	hose O.D. [mm]
MW-2007001	4
MW-2007002	5
MW-2007003	6
MW-2L07004	8
MW-2007005	10
MW-2007006	12
MW-2007007	14

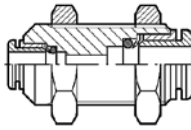
Straight stem fitting, brass		
		
R 6		
code	hose O.D. [mm]	thread size
MW-2006A02	3	M5
MW-2006A01	3.17	M5
MW-2006001	4	M5
MW-2006020	4	M7
MW-2006002	4	1/8"
MW-2006003	4	1/4"
MW-2006004	5	M5
MW-2006005	5	1/8"
MW-2006006	5	1/4"
MW-2006000	6	M5
MW-2006021	6	M7
MW-2006007	6	1/8"
MW-2006008	6	1/4"
MW-2006009	8	1/8"
MW-2006010	8	1/4"
MW-2006011	8	3/8"
MW-2006012	10	1/4"
MW-2006013	10	3/8"
MW-2006022	10	1/2"
MW-2006019	12	1/4"
MW-2006014	12	3/8"
MW-2006015	12	1/2"
MW-2006016	14	3/8"
MW-2006017	14	1/2"
MW-2006101	6	M12x1.5
MW-2006102	8	M12x1.5

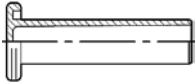
Straight stem fitting, brass		
		
R 18		
code	hose O.D. [mm]	thread size
MW-2018002	4	1/8"
MW-2018007	6	1/8"
MW-2018008	6	1/4"
MW-2018009	8	1/8"
MW-2018010	8	1/4"
MW-2018011	8	3/8"
MW-2018012	10	1/4"
MW-2018013	10	3/8"

INDUSTRIAL PNEUMATICS - fittings

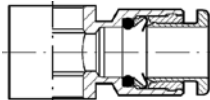
Push-in fittings - R series

Reducing fitting, brass		
		
R 8		
code	stem O.D. [mm]	hose O.D. [mm]
MW-2008A01	4	3
MW-2008A02	4	3.17
MW-2008001	5	4
MW-2L08002	6	4
MW-2008003	6	5
MW-2L08004	8	4
MW-2008005	8	5
MW-2L08006	8	6
MW-2L08007	10	6
MW-2L08008	10	8
MW-2008015	12	10
MW-2008009	12	4
MW-2008010	12	6
MW-2008011	12	8
MW-2008014	14	8
MW-2008017	14	10
MW-2008018	14	12
MW-2009001	4	6

Bulkhead straight adapter, brass			
			
R 10			
code	hose O.D. [mm]	thread size	
MW-2011A02	3	M8x0.75	
MW-2011A01	3.17	M8x0.75	
MW-2L11001	4	M11x1	
MW-2011002	5	M14x1	
MW-2L11003	6	M13x1	
MW-2L11004	8	M15x1	
MW-2L11005	10	M17x1	
MW-2011006	12	M22x1	
MW-2011007	14	M24x1	
MW-2L11301	4	6	M13x1
MW-2L11302	4	8	M15x1
MW-2L11303	6	8	M15x1
MW-2L11304	6	10	M17x1
MW-2L11306	6	12	M20x1
MW-2L11305	8	10	M17x1
MW-2L11307	8	12	M20x1
MW-2L11308	10	12	M20x1

Blank plug, technopolymer, (brass)	
	
R 9	
code	hose O.D. [mm]
MW-2010A02*	3
MW-2L10A01	3.17
MW-2L10001	4
MW-2010002*	5
MW-2L10003	6
MW-2L10004	8
MW-2L10005	10
MW-2L10006	12
MW-2010007*	14

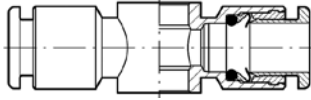
* - made of technopolymer

BANJO elbow body, brass		
		
R 13		
code	hose O.D. [mm]	thread size
MW-2012A02	3	M5
MW-2012A01	3.17	M5
MW-2012001	4	M5
MW-2012002	4	1/8"
MW-2012003	5	M5
MW-2012004	5	1/8"
MW-2012005	6	1/8"
MW-2012006	6	1/4"
MW-2012007	8	1/8"
MW-2012008	8	1/4"
MW-2012009	8	3/8"
MW-2012010	10	1/4"
MW-2012011	10	3/8"
MW-2012012	12	3/8"
MW-2012013	12	1/4"
MW-2012014	12	1/2"

INDUSTRIAL PNEUMATICS - fittings

Push-in fittings - R series

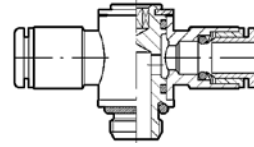
BANJO tee body, brass



R 14

code	hose O.D. [mm]	thread size
MW-2013001	4	M5
MW-2013002	4	1/8"
MW-2013003	5	M5
MW-2013004	5	1/8"
MW-2013005	6	1/8"
MW-2013006	6	1/4"
MW-2013007	8	1/8"
MW-2013008	8	1/4"
MW-2013009	8	3/8"
MW-2013010	10	1/4"
MW-2013011	10	3/8"

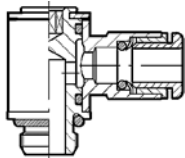
Rotary tee, male thread, brass



R 16

code	hose O.D. [mm]	thread size
MW-2L15001	4	M5
MW-2L15020	4	M7
MW-2L15002	4	1/8"
MW-2015003	5	M5
MW-2015004	5	1/8"
MW-2L15106	6	M5
MW-2L15021	6	M7
MW-2L15005	6	1/8"
MW-2L15007	6	1/4"
MW-2L15006	8	1/8"
MW-2L15008	8	1/4"
MW-2L15013	8	3/8"
MW-2L15009	10	1/4"
MW-2L15014	10	3/8"
MW-2015010	12	1/4"
MW-2015011	12	3/8"
MW-2015012	12	1/2"

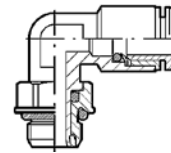
Rotary 90° elbow, male thread, brass



R 15

code	hose O.D. [mm]	thread size
MW-2014101	3	M3
MW-2014102	3.17	M3
MW-2014103	3	M5
MW-2014104	3.17	M5
MW-2L14001	4	M5
MW-2L14020	4	M7
MW-2L14002	4	1/8"
MW-2014003	5	M5
MW-2014004	5	1/8"
MW-2L14106	6	M5
MW-2L14021	6	M7
MW-2L14005	6	1/8"
MW-2L14007	6	1/4"
MW-2L14006	8	1/8"
MW-2L14008	8	1/4"
MW-2L14013	8	3/8"
MW-2L14009	10	1/4"
MW-2L14014	10	3/8"
MW-2014010	12	1/4"
MW-2014011	12	3/8"
MW-2014012	12	1/2"

Rotary 90° elbow, male parallel thread, brass

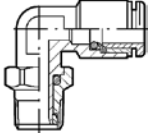


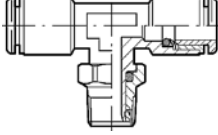
R 31

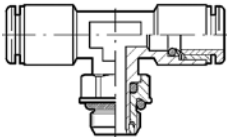
code	hose O.D. [mm]	thread size
MW-2L31001	4	M5
MW-2L31002	4	1/8"
MW-2L31003	4	1/4"
MW-2031004	5	M5
MW-2031005	5	1/8"
MW-2031006	5	1/4"
MW-2L31007	6	M5
MW-2L31008	6	1/8"
MW-2L31009	6	1/4"
MW-2L31010	8	1/8"
MW-2L31011	8	1/4"
MW-2L31012	8	3/8"
MW-2L31013	10	1/4"
MW-2L31014	10	3/8"
MW-2031015	10	1/2"
MW-2031016	12	1/4"
MW-2031017	12	3/8"
MW-2031018	12	1/2"
MW-2031019	14	1/2"

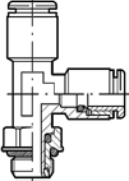
INDUSTRIAL PNEUMATICS - fittings

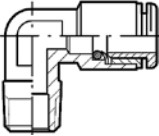
Push-in fittings - R series

Rotary 90° elbow, male conical thread, brass		
		
R 31C		
code	hose O.D. [mm]	thread size
MW-2L31C02	4	1/8"
MW-2L31C03	4	1/4"
MW-2L31C08	6	1/8"
MW-2L31C09	6	1/4"
MW-2L31C10	8	1/8"
MW-2L31C11	8	1/4"
MW-2L31C12	8	3/8"
MW-2L31C13	10	1/4"
MW-2L31C14	10	3/8"
MW-2031C15	12	3/8"
MW-2031C16	12	1/2"

Rotary tee, male conical thread, technopolymer		
		
R 32C		
code	hose O.D. [mm]	thread size
MW-2L32C02	4	1/8"
MW-2L32C03	4	1/4"
MW-2L32C08	6	1/8"
MW-2L32C09	6	1/4"
MW-2L32C10	8	1/8"
MW-2L32C11	8	1/4"
MW-2L32C12	8	3/8"
MW-2L32C13	10	1/4"
MW-2L32C14	10	3/8"

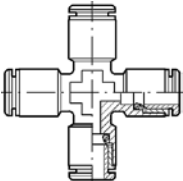
Rotary tee, male parallel thread, brass		
		
R 32		
code	hose O.D. [mm]	thread size
MW-2L32001	4	M5
MW-2L32002	4	1/8"
MW-2L32003	4	1/4"
MW-2032005	5	1/8"
MW-2L32004	6	M5
MW-2L32008	6	1/8"
MW-2L32009	6	1/4"
MW-2L32010	8	1/8"
MW-2L32011	8	1/4"
MW-2L32012	8	3/8"
MW-2L32013	10	1/4"
MW-2L32014	10	3/8"
MW-2032017	12	3/8"
MW-2032018	12	1/2"
MW-2032019	14	1/2"

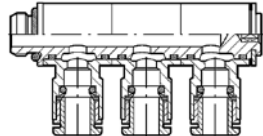
Lateral rotary tee, male thread, brass		
		
R 38		
code	hose O.D. [mm]	thread size
MW-2L38002	4	1/8"
MW-2038005	5	1/8"
MW-2L38008	6	1/8"
MW-2L38009	6	1/4"
MW-2L38010	8	1/8"
MW-2L38011	8	1/4"
MW-2L38013	10	1/4"
MW-2L38014	10	3/8"
MW-2038015	12	3/8"
MW-2038016	12	1/2"

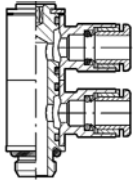
Rotary 90° elbow, male conical thread, brass		
		
R 39C		
code	hose O.D. [mm]	thread size
MW-2L39C02	4	1/8"
MW-2L39C08	6	1/8"
MW-2L39C09	6	1/4"
MW-2039Z07	6	M12x1
MW-2039Z08	6	M12x1.25
MW-2L39C10	8	1/8"
MW-2L39C11	8	1/4"
MW-2L39C13	10	1/4"

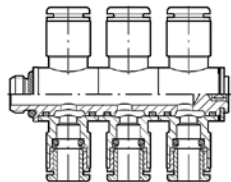
INDUSTRIAL PNEUMATICS - fittings

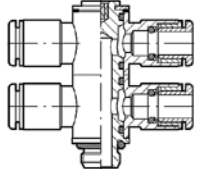
Push-in fittings - R series

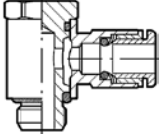
Cross adapter, brass	
	
R 40	
code	hose O.D. [mm]
MW-2L40001	4
MW-2L40003	6
MW-2L40004	8

Triple rotary union, brass		
		
R 52		
code	hose O.D. [mm]	thread size
MW-2L52002	4	1/8"
MW-2L52008	6	1/8"
MW-2L52009	6	1/4"
MW-2L52010	8	1/8"
MW-2L52011	8	1/4"
MW-2L52013	10	1/4"

Dual rotary union, brass		
		
R 50		
code	hose O.D. [mm]	thread size
MW-2L50001	4	M5
MW-2L50002	4	1/8"
MW-2L50007	6	M5
MW-2L50008	6	1/8"
MW-2L50009	6	1/4"
MW-2L50010	8	1/8"
MW-2L50011	8	1/4"
MW-2L50013	10	1/4"

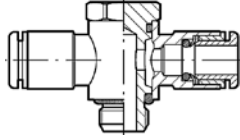
Triple rotary union, brass		
		
R 53		
code	hose O.D. [mm]	thread size
MW-2L53002	4	1/8"
MW-2L53008	6	1/8"
MW-2L53009	6	1/4"
MW-2L53010	8	1/8"
MW-2L53011	8	1/4"
MW-2L53013	10	1/4"

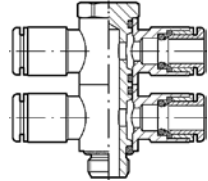
Dual rotary union, brass		
		
R 51		
code	hose O.D. [mm]	thread size
MW-2L51001	4	M5
MW-2L51002	4	1/8"
MW-2L51007	6	M5
MW-2L51008	6	1/8"
MW-2L51009	6	1/4"
MW-2L51010	8	1/8"
MW-2L51011	8	1/4"
MW-2L51013	10	1/4"

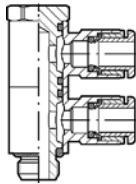
BANJO fitting, brass		
		
R 54		
code	hose O.D. [mm]	thread size
MW-2L54001	4	M5
MW-2L54002	4	1/8"
MW-2L54007	6	M5
MW-2L54008	6	1/8"
MW-2L54009	6	1/4"
MW-2L54010	8	1/8"
MW-2L54011	8	1/4"
MW-2L54012	8	3/8"
MW-2L54013	10	1/4"
MW-2L54014	10	3/8"
MW-2L54018	12	1/4"
MW-2L54016	12	3/8"
MW-2L54017	12	1/2"

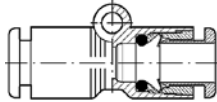
INDUSTRIAL PNEUMATICS - fittings

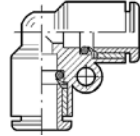
Push-in fittings - R series

BANJO fitting, brass		
		
R 55		
code	hose O.D. [mm]	thread size
MW-2L55001	4	M5
MW-2L55002	4	1/8"
MW-2L55007	6	M5
MW-2L55008	6	1/8"
MW-2L55009	6	1/4"
MW-2L55010	8	1/8"
MW-2L55011	8	1/4"
MW-2L55012	8	3/8"
MW-2L55013	10	1/4"
MW-2L55014	10	3/8"
MW-2L55018	12	1/4"
MW-2L55016	12	3/8"
MW-2L55017	12	1/2"

BANJO fitting, brass		
		
R 57		
code	hose O.D. [mm]	thread size
MW-2L57001	4	M5
MW-2L57002	4	1/8"
MW-2L57007	6	M5
MW-2L57008	6	1/8"
MW-2L57009	6	1/4"
MW-2L57010	8	1/8"
MW-2L57011	8	1/4"
MW-2L57012	8	3/8"
MW-2L57013	10	1/4"
MW-2L57014	10	3/8"
MW-2L57016	12	3/8"
MW-2L57017	12	1/2"

BANJO fitting, brass		
		
R 56		
code	hose O.D. [mm]	thread size
MW-2L56001	4	M5
MW-2L56002	4	1/8"
MW-2L56007	6	M5
MW-2L56008	6	1/8"
MW-2L56009	6	1/4"
MW-2L56010	8	1/8"
MW-2L56011	8	1/4"
MW-2L56012	8	3/8"
MW-2L56013	10	1/4"
MW-2L56014	10	3/8"
MW-2L56016	12	3/8"
MW-2L56017	12	1/2"

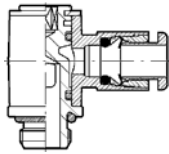
Straight adapter, technopolymer	
	
R 19	
code	hose O.D. [mm]
MW-2019001	4
MW-2019002	5
MW-2019003	6
MW-2019004	8
MW-2019005	10
MW-2019006	12

90° elbow adapter, technopolymer	
	
R 21	
code	hose O.D. [mm]
MW-2L21001	4
MW-2021002	5
MW-2L21003	6
MW-2L21004	8
MW-2021005	10
MW-2021006	12

INDUSTRIAL PNEUMATICS - fittings

Push-in fittings - R series

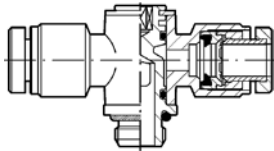
Rotary 90° elbow, male thread, technopolymer



R 20

code	hose O.D. [mm]	thread size
MW-2020001	4	M5
MW-2020002	4	1/8"
MW-2020003	5	M5
MW-2020004	5	1/8"
MW-2020016	6	M5
MW-2020005	6	1/8"
MW-2020007	6	1/4"
MW-2020006	8	1/8"
MW-2020008	8	1/4"
MW-2020009	10	1/4"
MW-2L20017	10	3/8"
MW-2020010	12	1/4"
MW-2020011	12	3/8"
MW-2020012	12	1/2"

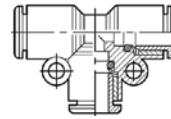
Rotary tee, male thread technopolymer



R 20/A

code	hose O.D. [mm]	thread size
MW-2020A01	4	M5
MW-2020A02	4	1/8"
MW-2020A03	5	M5
MW-2020A04	5	1/8"
MW-2020A05	6	1/8"
MW-2020A07	6	1/4"
MW-2020A06	8	1/8"
MW-2020A08	8	1/4"
MW-2020A09	10	1/4"
MW-2020A10	12	1/4"
MW-2020A11	12	3/8"
MW-2020A12	12	1/2"

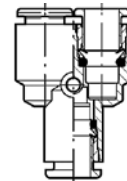
Tee adapter, technopolymer



R 22

code	hose O.D. [mm]
MW-2L22001	4
MW-2022002	5
MW-2L22003	6
MW-2L22004	8
MW-2022005	10
MW-2022006	12

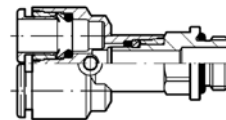
Y adapter, technopolymer



R 23

code	hose O.D. [mm]	
MW-2023001	4	
MW-2023002	5	
MW-2023003	6	
MW-2023004	8	
MW-2L23005	10	
MW-2L23006	12	
MW-2L23301	6	4
MW-2L23303	8	6
MW-2L23306	10	8
MW-2L23309	12	10

Rotary tee, male thread technopolymer



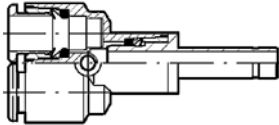
R 23/M

code	hose O.D. [mm]	thread size
MW-2L23401	4	M5
MW-2L23402	4	1/8"
MW-2L23403	4	1/4"
MW-2L23406	6	1/8"
MW-2L23407	6	1/4"
MW-2L23409	8	1/8"
MW-2L23410	8	1/4"
MW-2L23412	8	3/8"
MW-2L23413	10	1/4"
MW-2L23415	10	3/8"
MW-2L23419	12	3/8"
MW-2L23420	12	1/2"

INDUSTRIAL PNEUMATICS - fittings

Push-in fittings - R series

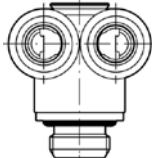
Y fitting, with stem fitting, technopolymer



R 24

code	stem O.D. [mm]	hose O.D. [mm]
MW-2024001	4	4
MW-2024003	6	6
MW-2L24004	8	8
MW-2L24005	10	10
MW-2L24006	12	12
MW-2L24301	6	4
MW-2L24303	8	6
MW-2L24306	10	8
MW-2L24309	12	10

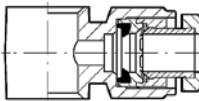
Parallel Y fitting with male thread, technopolymer



R 25

code	hose O.D. [mm]	thread size
MW-2L25001	4	M5
MW-2L25002	4	M7
MW-2L25003	4	1/8"
MW-2L25004	6	1/8"
MW-2L25005	6	1/4"
MW-2L25008	8	1/4"
MW-2L25009	8	3/8"

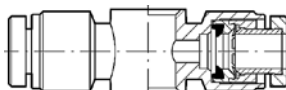
BANJO straight body fitting, technopolymer



R 28

code	hose O.D. [mm]	thread size
MW-2012102	4	1/8"
MW-2012104	5	1/8"
MW-2012106	6	1/8"
MW-2012107	6	1/4"
MW-2012108	8	1/8"
MW-2012109	8	1/4"
MW-2012110	8	3/8"
MW-2012111	10	1/4"
MW-2012112	10	3/8"
MW-2012113	12	1/4"
MW-2012114	12	3/8"
MW-2012115	12	1/2"

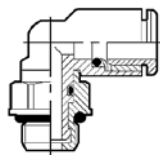
BANJO tee body, technopolymer



R 29

code	hose O.D. [mm]	thread size
MW-2013102	4	1/8"
MW-2013104	5	1/8"
MW-2013106	6	1/8"
MW-2013107	6	1/4"
MW-2013108	8	1/8"
MW-2013109	8	1/4"
MW-2013110	8	3/8"
MW-2013111	10	1/4"
MW-2013112	10	3/8"
MW-2013113	12	1/4"
MW-2013114	12	3/8"
MW-2013115	12	1/2"

Rotary 90° elbow, male thread, technopolymer



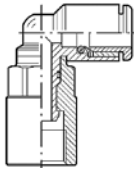
R 34

code	hose O.D. [mm]	thread size
MW-2L34001	4	M5
MW-2L34020	4	M7
MW-2L34002	4	1/8"
MW-2L34003	4	1/4"
MW-2L34006	6	M5
MW-2L34021	6	M7
MW-2L34007	6	1/8"
MW-2L34008	6	1/4"
MW-2L34009	8	1/8"
MW-2L34010	8	1/4"
MW-2L34011	8	3/8"
MW-2L34013	10	1/4"
MW-2L34014	10	3/8"
MW-2L34016	12	3/8"
MW-2L34017	12	1/2"

INDUSTRIAL PNEUMATICS - fittings

Push-in fittings - R series

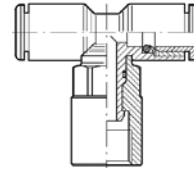
Rotary 90° elbow, female thread, technopolymer



R 34/F

code	hose O.D. [mm]	thread size
MW-2L34F01	4	M5
MW-2L34F05	4	1/8"
MW-2L34F06	6	M5
MW-2L34F07	6	1/8"
MW-2L34F08	6	1/4"
MW-2L34F09	8	1/8"
MW-2L34F10	8	1/4"
MW-2L34F13	10	1/4"
MW-2L34F14	10	3/8"
MW-2L34F16	12	3/8"
MW-2L34F17	12	1/2"

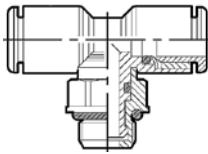
Rotary tee, female thread, technopolymer



R 35/F

code	hose O.D. [mm]	thread size
MW-2L35F01	4	M5
MW-2L35F06	6	M5
MW-2L35F07	6	1/8"
MW-2L35F08	6	1/4"
MW-2L35F09	8	1/8"
MW-2L35F10	8	1/4"
MW-2L35F13	10	1/4"
MW-2L35F14	10	3/8"
MW-2L35F16	12	3/8"
MW-2L35F17	12	1/2"

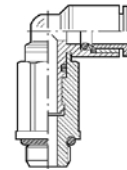
Rotary tee, male thread, technopolymer



R 35

code	hose O.D. [mm]	thread size
MW-2L35001	4	M5
MW-2L35020	4	M7
MW-2L35002	4	1/8"
MW-2L35003	4	1/4"
MW-2L35006	6	M5
MW-2L35007	6	1/8"
MW-2L35008	6	1/4"
MW-2L35009	8	1/8"
MW-2L35010	8	1/4"
MW-2L35011	8	3/8"
MW-2L35013	10	1/4"
MW-2L35014	10	3/8"
MW-2L35016	12	3/8"
MW-2L35017	12	1/2"

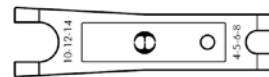
Extended rotary 90° elbow, male thread, technopolymer



R 36

code	hose O.D. [mm]	thread size
MW-2L36001	4	M5
MW-2L36020	4	M7
MW-2L36002	4	1/8"
MW-2L36006	6	M5
MW-2L36021	6	M7
MW-2L36007	6	1/8"
MW-2L36008	6	1/4"
MW-2L36009	8	1/8"
MW-2L36010	8	1/4"
MW-2L36012	10	1/4"

Disassembly tool

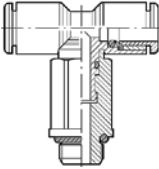


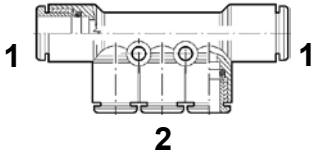
R 17

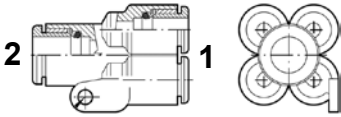
code	hose O.D. [mm]	application
MW-2L17001	3 ÷ 10	for R and FOX fittings
MW-2017001	4 ÷ 14	only R fittings

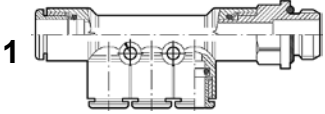
INDUSTRIAL PNEUMATICS - fittings

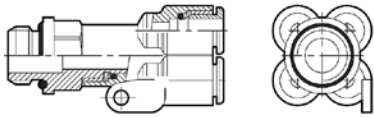
Push-in fittings - R series

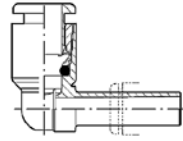
Extended rotary tee, male thread, technopolymer		
		
R 37		
code	hose O.D. [mm]	thread size
MW-2L37001	4	M5
MW-2L37020	4	M7
MW-2L37002	4	1/8"
MW-2L37006	6	M5
MW-2L37007	6	1/8"
MW-2L37008	6	1/4"
MW-2L37009	8	1/8"
MW-2L37010	8	1/4"
MW-2L37012	10	1/4"

Divider, technopolymer		
		
R 44		
code	hose O.D. 1 [mm]	hose O.D. 2 [mm]
MW-2L44001	6	4
MW-2L44003	8	6

Divider, technopolymer		
		
R 42		
code	hose O.D. 1 [mm]	hose O.D. 2 [mm]
MW-2L42001	4	4
MW-2L42002	4	6
MW-2L42004	6	6
MW-2L42005	6	8

Divider, male thread, technopolymer			
			
R 45			
code	hose O.D. 1 [mm]	hose O.D. 2 [mm]	thread size
MW-2L45001	6	4	1/8"
MW-2L45002	6	4	1/4"
MW-2L45007	8	6	1/8"
MW-2L45008	8	6	1/4"
MW-2L45009	8	6	3/8"

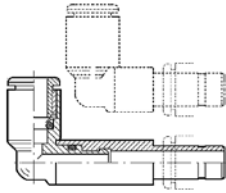
Divider, male thread, technopolymer		
		
R 43		
code	hose O.D. [mm]	thread size
MW-2L43001	4	M5
MW-2L43002	4	1/8"
MW-2L43003	4	1/4"
MW-2L43008	6	1/8"
MW-2L43009	6	1/4"

90° elbow with stem, technopolymer		
		
R 46		
code	stem O.D [mm]	hose O.D. [mm]
MW-2L46001	4	4
MW-2L46002	6	6
MW-2L46003	8	8
MW-2L46004	10	10

INDUSTRIAL PNEUMATICS - fittings

Push-in fittings - R series

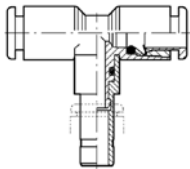
Extended 90° elbow with stem, technopolymer



R 47

code	stem O.D [mm]	hose O.D. [mm]
MW-2L47001	4	4
MW-2L47002	6	6
MW-2L47003	8	8

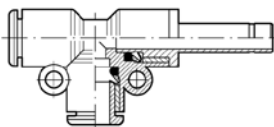
90° elbow with stem, technopolymer



R 48

code	stem O.D [mm]	hose O.D. [mm]
MW-2L48001	4	4
MW-2L48002	6	6
MW-2L48003	8	8
MW-2L48004	10	10

Y fitting, with stem, technopolymer



R 49

code	stem O.D [mm]	hose O.D. [mm]
MW-2L49001	4	4
MW-2L49003	6	6
MW-2L49004	8	8
MW-2L49005	10	10
MW-2L49006	12	12

INDUSTRIAL PNEUMATICS - fittings

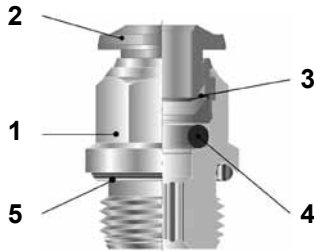
Push-in fittings - S series




Material: Nickel plated brass
Technopolymer
Working press: 10 bar
Vacuum: -0.99 bar
Working temp.: From 0°C up to +60°C
Seal: NBR


A push-in fitting of S series is an economical solution applied to connect hoses with metric and imperial calibrated external diameter. The hose is just pushed into the fitting. In order to disconnect, the locking sleeve must be pressed.

Construction:



- 1. Body: nickel plated brass
- 2. Release bushing: nickel plated brass
- 3. Locking bushing: technopolymer
- 4. Hose seal: stainless steel
- 5. Thread seal: NBR

Straight connection, BSP male thread		
		
PCM		
code	hose O.D. [mm]	thread size [BSP]
SH-PCM-04-02B	4	1/8"
SH-PCM-04-04B	4	1/4"
SH-PCM-06-02B	6	1/8"
SH-PCM-06-04B	6	1/4"
SH-PCM-06-06B	6	3/8"
SH-PCM-06-08B	6	1/2"
SH-PCM-08-02B	8	1/8"
SH-PCM-08-04B	8	1/4"
SH-PCM-08-06B	8	3/8"
SH-PCM-08-08B	8	1/2"
SH-PCM-10-02B	10	1/8"
SH-PCM-10-04B	10	1/4"
SH-PCM-10-06B	10	3/8"
SH-PCM-10-08B	10	1/2"
SH-PCM-12-02B	12	1/8"
SH-PCM-12-04B	12	1/4"
SH-PCM-12-06B	12	3/8"
SH-PCM-12-08B	12	1/2"
SH-PCM-14-04B	14	1/4"
SH-PCM-14-06B	14	3/8"
SH-PCM-14-08B	14	1/2"
SH-PCM-16-06B	16	3/8"
SH-PCM-16-08B	16	1/2"

Straight connection, NPT male thread		
		
PCC		
code	hose O.D. [inch]	thread size [NPT]
SH-PCC-02,5-02N	5/32	1/8"
SH-PCC-02,5-04N	5/32	1/4"
SH-PCC-02,5-06N	5/32	3/8"
SH-PCC-03-02N	3/16	1/8"
SH-PCC-03-04N	3/16	1/4"
SH-PCC-03-06N	3/16	3/8"
SH-PCC-04-02N	1/4	1/8"
SH-PCC-04-04N	1/4	1/4"
SH-PCC-04-06N	1/4	3/8"
SH-PCC-04-08N	1/4	1/2"
SH-PCC-05-02N	5/16	1/8"
SH-PCC-05-04N	5/16	1/4"
SH-PCC-05-06N	5/16	3/8"
SH-PCC-05-08N	5/16	1/2"
SH-PCC-06-02N	3/8	1/8"
SH-PCC-06-04N	3/8	1/4"
SH-PCC-06-06N	3/8	3/8"
SH-PCC-06-08N	3/8	1/2"
SH-PCC-08-02N	1/2	1/8"
SH-PCC-08-04N	1/2	1/4"
SH-PCC-08-06N	1/2	3/8"
SH-PCC-08-08N	1/2	1/2"

INDUSTRIAL PNEUMATICS - fittings

Push-in fittings - S series

90° elbow connection, BSP male thread



PLM

code	hose O.D. [mm]	thread size [BSP]
SH-PLM-04-02B	4	1/8"
SH-PLM-04-04B	4	1/4"
SH-PLM-04-06B	4	3/8"
SH-PLM-06-02B	6	1/8"
SH-PLM-06-04B	6	1/4"
SH-PLM-06-06B	6	3/8"
SH-PLM-06-08B	6	1/2"
SH-PLM-08-02B	8	1/8"
SH-PLM-08-04B	8	1/4"
SH-PLM-08-06B	8	3/8"
SH-PLM-08-08B	8	1/2"
SH-PLM-10-02B	10	1/8"
SH-PLM-10-04B	10	1/4"
SH-PLM-10-06B	10	3/8"
SH-PLM-10-08B	10	1/2"
SH-PLM-12-02B	12	1/8"
SH-PLM-12-04B	12	1/4"
SH-PLM-12-06B	12	3/8"
SH-PLM-12-08B	12	1/2"
SH-PLM-14-04B	14	1/4"
SH-PLM-14-06B	14	3/8"
SH-PLM-14-08B	14	1/2"
SH-PLM-16-06B	16	3/8"
SH-PLM-16-08B	16	1/2"

90° elbow connection, NPT male thread



PLC

code	hose O.D. [inch]	thread size [NPT]
SH-PLC-02,5-02N	5/32	1/8"
SH-PLC-02,5-04N	5/32	1/4"
SH-PLC-03-02N	3/16	1/8"
SH-PLC-03-04N	3/16	1/4"
SH-PLC-03-06N	3/16	3/8"
SH-PLC-04-02N	1/4	1/8"
SH-PLC-04-04N	1/4	1/4"
SH-PLC-04-06N	1/4	3/8"
SH-PLC-05-02N	5/16	1/8"
SH-PLC-05-04N	5/16	1/4"
SH-PLC-05-06N	5/16	3/8"
SH-PLC-05-08N	5/16	1/2"
SH-PLC-06-02N	3/8	1/8"
SH-PLC-06-04N	3/8	1/4"
SH-PLC-06-06N	3/8	3/8"
SH-PLC-06-08N	3/8	1/2"
SH-PLC-08-04N	1/2	1/4"
SH-PLC-08-06N	1/2	3/8"
SH-PLC-08-08N	1/2	1/2"

Straight connector



PUCM

code	hose O.D. [mm]	length [mm]
SH-PUCM-04	4	33
SH-PUCM-06	6	34.5
SH-PUCM-08	8	38.5
SH-PUCM-10	10	48.5
SH-PUCM-12	12	49
SH-PUCM-14	14	51.5
SH-PUCM-16	16	63.5

Straight connector



PUCC

code	hose O.D. [inch]	length [mm]
SH-PUCC-02,5	5/32	32
SH-PUCC-03	3/16	32
SH-PUCC-04	1/4	34.5
SH-PUCC-05	5/16	38.5
SH-PUCC-06	3/8	47.5
SH-PUCC-08	1/2	49

INDUSTRIAL PNEUMATICS - fittings

Push-in fittings - S series

Reducing straight connector



PUCM

code	hose O.D. [mm]		length [mm]
SH-PUCM-06-04	6	4	34
SH-PUCM-08-04	8	4	36.5
SH-PUCM-08-06	8	6	36.5
SH-PUCM-10-06	10	6	43
SH-PUCM-10-08	10	8	43
SH-PUCM-12-08	12	8	47
SH-PUCM-12-10	12	10	49
SH-PUCM-14-12	14	12	51
SH-PUCM-16-12	16	12	64
SH-PUCM-16-14	16	14	65

Reducing plug



PGJM

code	plug O.D. [mm]	hose O.D. [mm]	length [mm]
SH-PGJM-06-04	6	4	38.5
SH-PGJM-08-04	8	4	40
SH-PGJM-08-06	8	6	41
SH-PGJM-10-06	10	6	41
SH-PGJM-10-08	10	8	45.5
SH-PGJM-12-06	12	6	41
SH-PGJM-12-08	12	8	43
SH-PGJM-12-10	12	10	51

90° elbow connector



PULM

code	hose O.D. [mm]	length [mm]
SH-PULM-04	4	24
SH-PULM-06	6	25
SH-PULM-08	8	29
SH-PULM-10	10	37
SH-PULM-12	12	40
SH-PULM-14	14	41.5
SH-PULM-16	16	45.5

90° elbow connector



PULC

code	hose O.D. [inch]	length [mm]
SH-PULC-02,5	5/32	24
SH-PULC-03	3/16	24
SH-PULC-04	1/4	25
SH-PULC-05	5/16	29
SH-PULC-06	3/8	37
SH-PULC-08	1/2	40

End cap



PPFM

code	hose O.D. [mm]	length [mm]
SH-PPFM-04	4	18
SH-PPFM-06	6	19
SH-PPFM-08	8	21
SH-PPFM-10	10	23
SH-PPFM-12	12	25
SH-PPFM-16	16	27.5

End cap





PPFC


code	hose O.D. [inch]	length [mm]
SH-PPFC-02,5	5/32	18
SH-PPFC-03	3/16	18
SH-PPFC-04	1/4	19
SH-PPFC-05	5/16	21
SH-PPFC-06	3/8	23
SH-PPFC-08	1/2	25


INDUSTRIAL PNEUMATICS - fittings


Push-in fittings - S series

"T" connector		
		
PUTM		
code	hose O.D. [mm]	length [mm]
SH-PUTM-04	4	36.5
SH-PUTM-06	6	37.5
SH-PUTM-08	8	44.5
SH-PUTM-10	10	57
SH-PUTM-12	12	58
SH-PUTM-14	14	60.7
SH-PUTM-16	16	64

"T" connector		
		
PUTC		
code	hose O.D. [mm]	length [mm]
SH-PUTC-02,5	5/32	36.5
SH-PUTC-03	3/16	36.5
SH-PUTC-04	1/4	38
SH-PUTC-05	5/16	45
SH-PUTC-06	3/8	55
SH-PUTC-08	1/2	58

"T" connector			
			
PUTM			
code	1 hose O.D. [mm]	2 hose O.D. [mm]	length [mm]
SH-PUTM-04-06	4	6	37.5
SH-PUTM-04-08	4	8	41
SH-PUTM-06-04	6	4	38
SH-PUTM-06-08	6	8	41
SH-PUTM-06-10	6	10	44.5
SH-PUTM-08-04	8	4	43.5
SH-PUTM-08-06	8	6	43.5
SH-PUTM-08-10	8	10	48
SH-PUTM-08-12	8	12	48.5
SH-PUTM-10-06	10	6	56
SH-PUTM-10-08	10	8	56
SH-PUTM-10-12	10	12	58
SH-PUTM-12-08	12	8	56
SH-PUTM-12-10	12	10	57.5
SH-PUTM-14-12	14	12	60.5
SH-PUTM-16-12	16	12	65
SH-PUTM-16-14	16	14	65

"Y" connector		
		
PYM		
code	hose O.D. [mm]	length [mm]
SH-PYM-04	4	35.5
SH-PYM-06	6	37
SH-PYM-08	8	39.5
SH-PYM-10	10	50.5
SH-PYM-12	12	52.5
SH-PYM-16	16	55.5

"Y" connector			
			
PYM			
code	1 hose O.D. [mm]	2 hose O.D. [mm]	length [mm]
SH-PYM-06-04	6	4	36
SH-PYM-08-04	8	4	37
SH-PYM-08-06	8	6	37
SH-PYM-10-06	10	6	43.5
SH-PYM-10-08	10	8	44
SH-PYM-12-08	12	8	51
SH-PYM-12-10	12	10	52
SH-PYM-16-12	16	12	54.5
SH-PYM-16-14	16	14	55