

INDUSTRIAL PNEUMATICS - air treatment units

NEW DEAL series

Due to its metal construction, the entire range of NEW DEAL elements is resistant to heavy duty working conditions. Designed for high pressure application (up to 18 bar).



FIL filter

Size: 1/4", 3/8", 1/2", 3/4", 1"
Degree of filtration: 4 µm, 20 µm, 50 µm
Inlet pressure: Up to 18 bar
Working temp.: Up to +50°C
Connection: 1/4", 3/8", 1/2", 3/4", 1" BSP female thread
Condensate drain: Manual / semi-automatic (RMSA)
 Automatic (SAC)
Flow rate: 1720 l/min - 1/4"
 4100 l/min - 3/8", 1/2"
 11000 l/min - 3/4", 1"
 (input pressure 6 bar and Δp = 1 bar)

FIL

1/4

4

RMSA

element	connection	degree of filtration	condensate drain
FIL - filter	1/4 - 1/4" 3/8 - 3/8" 1/2 - 1/2" 3/4 - 3/4" 1 - 1"	4 - 4 µm 20 - 20 µm 50 - 50 µm	RMSA - manual / semi-automatic SAC - automatic, using pressure drop RA - automatic, float type, drainage independent of the flow and pressure

1/4"		3/8"		1/2"		3/4"		1"		degree of filtration [µm]	condensate drain
code	type	code	type	code	type	code	type	code	type		
MW-1221005	FIL 1/4 4 RMSA	MW-1321005	FIL 3/8 4 RMSA	MW-1421005	FIL 1/2 4 RMSA	MW-1521005	FIL 3/4 4 RMSA	MW-1621005	FIL 1 4 RMSA	4	RMSA
MW-1221006	FIL 1/4 20 RMSA	MW-1321006	FIL 3/8 20 RMSA	MW-1421006	FIL 1/2 20 RMSA	MW-1521006	FIL 3/4 20 RMSA	MW-1621006	FIL 1 20 RMSA	20	
MW-1221008	FIL 1/4 50 RMSA	MW-1321008	FIL 3/8 50 RMSA	MW-1421008	FIL 1/2 50 RMSA	MW-1521008	FIL 3/4 50 RMSA	MW-1621008	FIL 1 50 RMSA	50	
MW-1221013	FIL 1/4 4 SAC	MW-1321013	FIL 3/8 4 SAC	MW-1421013	FIL 1/2 4 SAC	-	-	-	-	4	SAC
MW-1221014	FIL 1/4 20 SAC	MW-1321014	FIL 3/8 20 SAC	MW-1421014	FIL 1/2 20 SAC	-	-	-	-	20	
MW-1221016	FIL 1/4 50 SAC	MW-1321016	FIL 3/8 50 SAC	MW-1421016	FIL 1/2 50 SAC	-	-	-	-	50	
-	-	MW-1321009	FIL 3/8 4 RA	MW-1421009	FIL 1/2 4 RA	MW-1521009	FIL 3/4 4 RA	MW-1621009	FIL 1 4 RA	4	RA
-	-	MW-1321010	FIL 3/8 20 RA	MW-1421010	FIL 1/2 20 RA	MW-1521010	FIL 3/4 20 RA	MW-1621010	FIL 1 20 RA	20	
-	-	MW-1321012	FIL 3/8 50 RA	MW-1421012	FIL 1/2 50 RA	MW-1521012	FIL 3/4 50 RA	MW-1621012	FIL 1 50 RA	50	

INDUSTRIAL PNEUMATICS - air treatment units

NEW DEAL series



REG regulator

Size: 1/4", 3/8", 1/2", 3/4", 1"
Outlet press. range: 0÷2, 0÷4, 0÷8, 0÷12 bar
Inlet pressure: Up to 18 bar
Working temp.: Up to +50°C
Connection: 1/4", 3/8", 1/2", 3/4", 1" BSP thread
Pressure gauge port: 1/8" BSP female thread for valves to 1/2" (above - BSP 1/4" female thread)
Flow rate: 650 l/min - 1/4"
 2500 l/min - 3/8", 1/2"
 4500 l/min - 3/4", 1"
 (input pressure 6 bar and $\Delta p = 1$ bar)

REG

1/4

04

element	connection	outlet pressure range
REG - regulator	1/4 - 1/4" 3/8 - 3/8" 1/2 - 1/2" 3/4 - 3/4" 1 - 1"	02 - 0÷2 bar 04 - 0÷4 bar 08 - 0÷8 bar 012 - 0÷12 bar

1/4"		3/8"		1/2"		3/4"		1"		outlet press. range
code	type	code	type	code	type	code	type	code	type	
MW-1202004	REG 1/4 02	-	-	-	-	-	-	-	-	0 ÷ 2
MW-1202001	REG 1/4 04	MW-1302001	REG 3/8 04	MW-1402001	REG 1/2 04	MW-1502001	REG 3/4 04	MW-1602001	REG 1 04	0 ÷ 4
MW-1202002	REG 1/4 08	MW-1302002	REG 3/8 08	MW-1402002	REG 1/2 08	MW-1502002	REG 3/4 08	MW-1602002	REG 1 08	0 ÷ 8
MW-1202003	REG 1/4 012	MW-1302003	REG 3/8 012	MW-1402003	REG 1/2 012	MW-1502003	REG 3/4 012	MW-1602003	REG 1 012	0 ÷ 12



Padlockable regulator

NEW DEAL series regulating valve is also available with a padlock. A pin with a hole projects from the top of the knob. When the knob is in the push-lock position, the padlock can be inserted in the hole, preventing any changes in the setting of the regulator. A padlock and two keys are supplied with the regulator.

INDUSTRIAL PNEUMATICS - air treatment units

NEW DEAL series



FR filter - regulator

Size: 1/4", 3/8", 1/2"
Outlet press. range: 0÷8, 0÷12 bar
Inlet pressure: Up to 18 bar
Working temp.: Up to +50°C
Connection: 1/4", 3/8", 1/2" BSP female thread
Pressure gauge port: 1/8" BSP female thread
Flow rate: 700 l/min - 1/4"
 2500 l/min - 3/8", 1/2"
 (input pressure 6 bar and $\Delta p = 1$ bar)

FR 1/4 4 08 RMSA

element	connection	degree of filtration	outlet pressure range	condensate drain
FR - filter - regulator	1/4 - 1/4" 3/8 - 3/8" 1/2 - 1/2"	4 - 4 µm 20 - 20 µm 50 - 50 µm	0 ÷ 8 0 ÷ 12	RMSA - manual/semi-automatic SAC - automatic, using pressure drop

1/4"		3/8"		1/2"		outlet pressure range [bar]	degree of filtration [µm]	condensate drain
code	type	code	type	code	type			
MW-1225029	FR 1/4 4 08 RMSA	MW-1325029	FR 3/8 4 08 RMSA	MW-1425029	FR 1/2 4 08 RMSA	0 ÷ 8	4	RMSA
MW-1225509	FR 1/4 4 08 SAC	MW-1325509	FR 3/8 4 08 SAC	MW-1425509	FR 1/2 4 08 SAC			SAC
MW-1225030	FR 1/4 20 08 RMSA	MW-1325030	FR 3/8 20 08 RMSA	MW-1425030	FR 1/2 20 08 RMSA		20	RMSA
MW-1225510	FR 1/4 20 08 SAC	MW-1325510	FR 3/8 20 08 SAC	MW-1425510	FR 1/2 20 08 SAC			SAC
MW-1225032	FR 1/4 50 08 RMSA	MW-1325032	FR 3/8 50 08 RMSA	MW-1425032	FR 1/2 50 08 RMSA		50	RMSA
MW-1225511	FR 1/4 50 08 SAC	MW-1325512	FR 3/8 50 08 SAC	MW-1425512	FR 1/2 50 08 SAC			SAC
MW-1225053	FR 1/4 4 012 RMSA	MW-1325053	FR 3/8 4 012 RMSA	MW-1425053	FR 1/2 4 012 RMSA	0 ÷ 12	4	RMSA
MW-1225513	FR 1/4 4 012 SAC	MW-1325513	FR 3/8 4 012 SAC	MW-1425513	FR 1/2 4 012 SAC			SAC
MW-1225054	FR 1/4 20 012 RMSA	MW-1325054	FR 3/8 20 012 RMSA	MW-1425054	FR 1/2 20 012 RMSA		20	RMSA
MW-1225514	FR 1/4 20 012 SAC	MW-1325514	FR 3/8 20 012 SAC	MW-1425514	FR 1/2 20 012 SAC			SAC
MW-1225056	FR 1/4 50 012 RMSA	MW-1325056	FR 3/8 50 012 RMSA	MW-1425056	FR 1/2 50 012 RMSA		50	RMSA
MW-1225516	FR 1/4 50 012 SAC	MW-1325516	FR 3/8 50 012 SAC	MW-1425516	FR 1/2 50 012 SAC			SAC

INDUSTRIAL PNEUMATICS - air treatment units

NEW DEAL series



LUB lubricator

Size: 1/4", 3/8", 1/2", 3/4", 1"
Tank volume: 50 cm³ - 1/4"
 150 cm³ - 3/8", 1/2"
 380 cm³ - 3/4", 1"
Inlet pressure: Up to 18 bar
Working temp.: Up to +50°C
Connection: 1/4", 3/8", 1/2", 3/4", 1" BSP female thread
Flow rate: 1100 l/min - 1/4"
 4300 l/min - 3/8", 1/2"
 16000 l/min - 3/4", 1"
 (input pressure 6 bar and Δp = 1 bar)

LUB

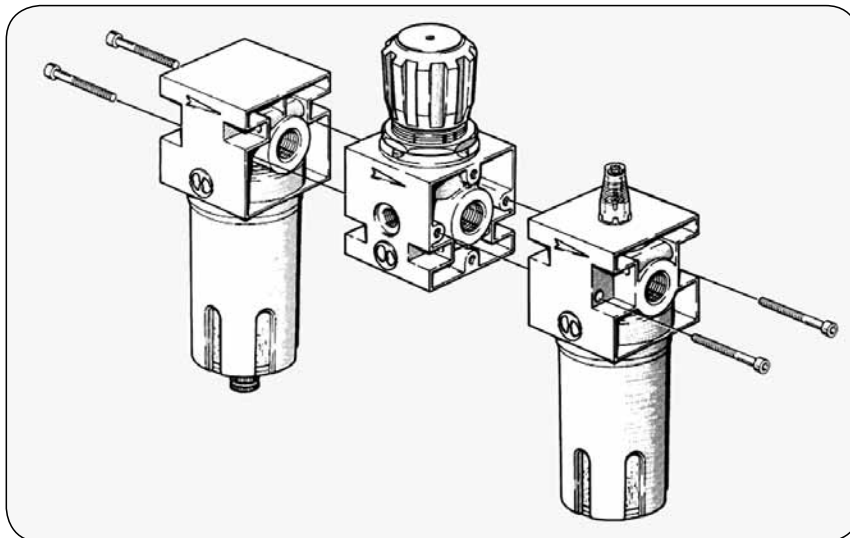
1/4

element	connection
LUB - lubricator	1/4 - 1/4" 3/8 - 3/8" 1/2 - 1/2" 3/4 - 3/4" 1 - 1"

1/4"		3/8"		1/2"		3/4"		1"	
code	type	code	type	code	type	code	type	code	type
MW-1223001	LUB 1/4	MW-1323001	LUB 3/8	MW-1423001	LUB 1/2	MW-1523001	LUB 3/4	MW-1623001	LUB 1

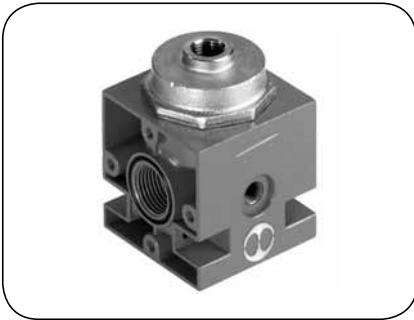
Air preparation elements of NEW DEAL series can be combined into units according to customer specifications.

New Deal elements assembly



Also available: wall mounting brackets (MW-9200701; MW-9400701), mounting screws, filter and lubricator tanks, handwheel sets for regulating valves, removable filter inserts and many other.

NEW DEAL series



Pilot assisted pressure regulator

- Versions: REG. PIL. 3/8", 1/2"
- Threaded connection: 3/8", 1/2"
- Outlet pressure range: depends on a pilot valve
- Max. inlet pressure: 18 bar
- Nominal flow rate (at 6 bar, $\Delta p = 1$ bar): 4500 l/min
- Max. working temperature: +50°C



Pressure regulating start-up valve

- Threaded connection: 3/4", 1"
- Outlet pressure range: 0 - 2 - 4 - 8 - 12 bar
- Max. inlet pressure: 13 bar
- Nominal flow rate (at 6 bar, $\Delta p = 1$ bar): 13000 l/min
- Max. working temperature: +50°C



Depurator - D

- Versions: DEP. ND 3/8", DEP. ND 1/2"
- Threaded connection: 3/8", 1/2"
- Degree of purification: 99.97%
- Degree of filtration: 0.01 mm
- Nominal flow rate (at 6 bar, $\Delta p = 1$ bar): 1600 l/min
- Recommended flow rate (at 6 bar): 230 l/min
- Max. working pressure: 18 bar
- Max. working temperature: +50°C
- Working medium: compressed air with 4 μm filtration degree
- Condensate drain: manual, semi-automatic or automatic



Start-up valves - V

- Versions: V3V ND 1/4", V3V ND 3/8"-1/2", V3V ND 3/4", V3V ND 1"
- Threaded connection: 1/4", 3/8", 1/2", 3/4", 1"
- Nominal flow rate (at 6 bar, $\Delta p = 1$ bar): 1500 ÷ 10200 l/min (depends on the version)
- Max. working pressure: 13 ÷ 18 bar (depends on a version)
- Max. working temperature: +50°C
- Control: manual, electric



Automatic condensate drains

- Version: SCAL. ND 1/2
- Threaded connection: 1/2"
- Max. working pressure: 18 bar
- Max. working temperature: +50°C

NEW DEAL series



Air preparation unit - FRL

- Versions: FRL ND 1/4", FRL ND 3/8", FRL ND 1/2", FRL ND 3/4", FRL ND 1"
- Unit elements: filter, regulating valve, lubricator
- Threaded connection: 1/4", 3/8", 1/2", 3/4", 1"
- Outlet pressure range: 0 - 2 - 4 - 8 - 12 bar
- Degree of filtration: 4 - 20 - 50 µm
- Nominal flow rate (at 6 bar, $\Delta p = 1$ bar): 400 ÷ 3700 l/min (depends on a version)
- Max. inlet pressure: 18 bar
- Max. working temperature: +50°C
- Condensate drain: manual, semi-automatic or automatic



Air preparation unit - FR+L

- Versions: FR+L ND 1/4", FR+L ND 3/8", FR+L ND 1/2"
- Unit elements: filter + regulating valve, lubricator
- Threaded connection: 1/4", 3/8", 1/2"
- Outlet pressure range: 0 - 2 - 4 - 8 - 12 bar
- Degree of filtration: 4 - 20 - 50 µm
- Nominal flow rate (at 6 bar, $\Delta p = 1$ bar): 500 ÷ 2200 l/min (depends on a version)
- Max. inlet pressure: 18 bar
- Max. working temperature: +50°C
- Condensate drain: manual, semi-automatic or automatic



Air preparation unit - FRPL

- Versions: FRPL ND 3/4", FRPL ND 1"
- Unit elements: filter, pilot operated regulating valve, lubricator
- Threaded connection: 3/4", 1"
- Outlet pressure range: 0 - 8 - 12 bar
- Degree of filtration: 4 - 20 - 50 µm
- Nominal flow rate (at 6 bar, $\Delta p = 1$ bar): 8500 l/min
- Max. inlet pressure: 13 bar
- Max. working temperature: +50°C
- Condensate drain: manual, semi-automatic or automatic



Air preparation unit - VFRL

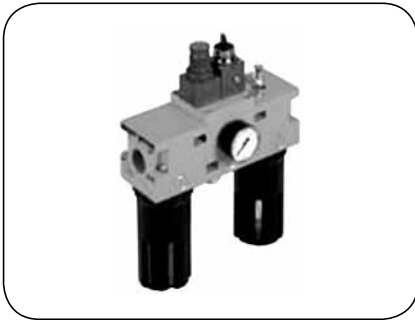
- Versions: VFRL ND 1/4", VFRL ND 3/8", VFRL ND 1/2"
- Unit elements: start-up valve, filter, regulating valve, lubricator
- Threaded connection: 1/4", 3/8", 1/2"
- Outlet pressure range: 0 - 2 - 4 - 8 - 12 bar
- Degree of filtration: 4 - 20 - 50 µm
- Nominal flow rate (at 6 bar, $\Delta p = 1$ bar): 390 ÷ 1700 l/min (depends on a version)
- Max. inlet pressure: 18 bar
- Max. working temperature: +50°C
- Condensate drain: manual, semi-automatic or automatic



Air preparation unit - V+FR+L

- Versions: VFR+L. ND 1/4", VFR+L. ND 3/8", VFR+L. ND 1/2"
- Unit elements: start-up valve, filter + regulating valve, lubricator
- Threaded connection: 1/4", 3/8", 1/2"
- Outlet pressure range: 0 - 2 - 4 - 8 - 12 bar
- Degree of filtration: 4 - 20 - 50 µm
- Nominal flow rate (at 6 bar, $\Delta p = 1$ bar): 480 ÷ 1900 l/min (depends on a version)
- Max. inlet pressure: 18 bar
- Max. working temperature: +50°C
- Condensate drain: manual, semi-automatic or automatic

NEW DEAL series



Air preparation unit - FRPVL

- Versions: FRPVL. ND 3/4", FRPVL. ND 1"
- Unit elements: filter, pilot operated regulating valve, start-up valve, lubricator
- Threaded connection: 3/4", 1"
- Outlet pressure range: 0 - 8 - 12 bar
- Degree of filtration: 4 - 20 - 50 μm
- Nominal flow rate (at 6 bar, $\Delta p = 1$ bar): 8500 l/min
- Max. inlet pressure: 13 bar
- Max. working temperature: +50°C



Air preparation unit - F+L

- Versions: F+L. ND 1/4", F+L. ND 3/8", F+L. ND 1/2", F+L. ND 3/4", F+L. ND 1"
- Unit elements: filter + lubricator
- Threaded connection: 1/4", 3/8", 1/2", 3/4", 1"
- Degree of filtration: 4 - 20 - 50 μm
- Nominal flow rate (at 6 bar, $\Delta p = 1$ bar): 1000 ÷ 7500 l/min (depends on a version)
- Max. inlet pressure: 18 bar
- Max. working temperature: +50°C
- Condensate drain: manual, semi-automatic or automatic



Air preparation unit - F+D

- Versions: F+D. ND 3/8", F+D. ND 1/2"
- Unit elements: filter, precision filter
- Threaded connection: 3/8", 1/2"
- Degree of filtration: filter: 4 μm - precision filter: 0.01 μm
- Nominal flow rate (at 6 bar, $\Delta p = 1$ bar): 1600 l/min
- Max. inlet pressure: 18 bar
- Max. working temperature: +50°C
- Condensate drain: manual, semi-automatic or automatic



Distributor

- Versions: PA ND 1/4", PA ND 3/8"-1/2", PA ND 3/4"-1"
- Threaded connection: 1/8", 1/4", 1/2"
- Max. working pressure: 18 bar
- Max. working temperature: +50°C